



SERDI

seat and guide machines

TOOL HOLDERS CUTTING BIT HOLDERS CUTTING
HEADS VALVE SEATS PILOTS REAMERS TOOL H
CUTTING BIT HOLDERS CUTTING BITS MILLING
HEADS VALVE SEATS PILOTS REAMERS TO
HOLDERS CUTTING BIT HOLDERS CUTTING
BITS HEADS VALVE SEATS PILOTS REAM
TOOL HOLDERS CUTTING BIT HOLDERS
CUTTING BITS MILLING HEADS VALVE
SEATS PILOTS REAMERS TOOL H

2018
CATALOG

VALVE SEATS PILOTS RE
TOOL HOLDERS CUTTI
BIT HOLDERS CUTTI
BITS MILLING HEAD
VALVE SEATS PILO
REAMERS TOOL
CUTTING BIT H
CUTTING BITS
HEADS VALV
SEATS PILO
REAMERS
TOOL H
CUTTI
BIT
CU



**TOOLING FOR
VALVE SEATS**


40 years in business

| | |
|---|-----------|
| Tooling for seat and guide machines | 4 |
| Tool holders | 8 |
| SCS / TRI | —8 |
| Original style | —9 |
| Original style | —10 |
| Special | —10 |
| Cutting bit holders | 11 |
| SCS | —11 |
| Original tooling | —13 |
| TRI | —15 |
| Cutting bit holders | —17 |
| screw drivers | —17 |
| Cutting bits | 18 |
| counterboring | —18 |
| single angle | —19 |
| single convex radius | —21 |
| single concave radius cutting bits | —21 |
| twin radius cutting bits | —21 |
| three angles - 30° | —26 |
| three angles - 45° | —27 |
| miscellaneous angles | —29 |
| performance 30° | —30 |
| performance 45° | —31 |
| special request | —38 |
| Brazed milling heads cutters | 43 |
| Valve seat inserts | 44 |
| all carburations* | —44 |
| chrome turbo | —46 |
| nickel gas special LPG | —47 |
| CL type | —48 |
| CS type | —48 |
| Pilots | 48 |
| E type | —48 |
| CSD type | —49 |
| Reamers | 50 |
| RS type | —50 |
| RN type | —50 |
| Order form for guide housing reamer - RS type | —51 |
| Order form for ID guide reamer - RS type | —51 |
| notes | —52 |
| General conditions of sale | 55 |





SERDI profile cutters are designed on a modern CAD system, and then produced according to exact seat specification on a CNC profile grinder. Every single cutter is quality controlled on state-of-art equipment before delivery.


Original style

A1  Standard Cutting Bit for almost any conventional valve seat profile

AL10  **AL11**  **AL12**  **AL13**  Counterboring Cutting Bit for valve seat counterbore machining


B1  For wide seat profile machining on large diameter valve seat


B2  For wide seat profile machining on smaller diameter valve seat


B4  For small valve seat diameter such as motorcycle heads with a deep seat

New generation style

E1  **E2**  Standard Cutting Bits for almost any small valve seat profile (**E1 fits S2700 - E2 fits S2710/S2711/S2731**)

E3  Cutting bit for wide seat profile machining (**Fits S2710/S2711/S2730**)

D1  Counterboring cutting bit for small diameter seat pocket machining (**Fits S2700**)

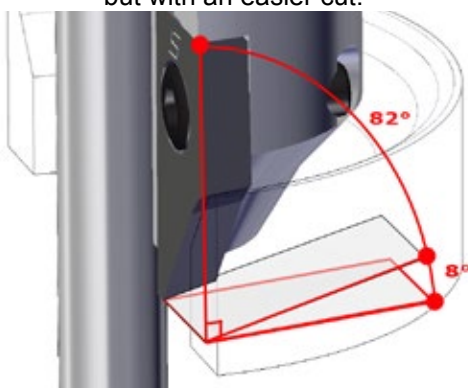
D2  Counterboring cutting bit for valve seat machining (**Fits S2710/S2711/S2731**)

TECHNICAL NOTES :

- Do not use a 0° bit on a 8° Bit Holder or the opposite.
- If used as above mentioned, the back of the bit will touch the seat when machining or the bit will be too fragile in the second case.
- The original bit sharpener can be used with the New Style Cutting Bits using SERDI adapter tooling bracket (Reference : 021960)

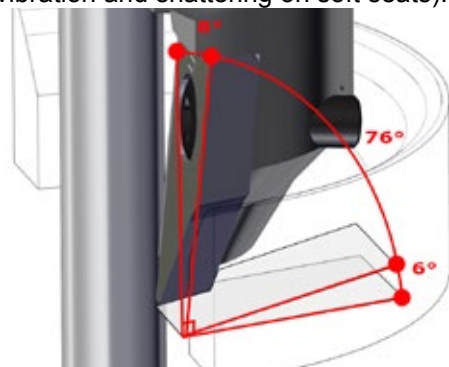
0° Rake Cutting Angle (Negative):

The bit is perpendicular to the cutting surface (as the SERDI Original Style Tooling). The 0° angle tooling can cut different hardness seats (soft & medium) up to 45 Rockwell. The cutting parameters for the 0° angle tooling can remain the same as the SERDI Original Style Tooling but with an easier cut.



8° Rake Cutting Angle (Positive):

The bit is 8° from the perpendicular to the cutting surface. The 8° angle tooling is especially design to cut hard seats 45 Rockwell and up. The cutting bit is more aggressive on the seat so the vertical pressure decrease and run at a lower Rpm. SERDI recommends using this type of tooling only on hard seats (Risk of vibration and shattering on soft seats).



SESDI/ cutting system (SCS) tooling range for seats machining

| Capacity (seat Ø) | Ø16 to Ø25 mm Ø0.630" to Ø 0.980" | Ø20 to Ø30 mm Ø0.787" to Ø1.181" | Ø28 to Ø40mm Ø1.102" to Ø1.570" | Ø35 to Ø70 mm Ø1.380" to Ø2.760" | Ø60 to Ø120 mm Ø2.360" to Ø4.720" |
|-------------------|--------------------------------------|-------------------------------------|------------------------------------|-------------------------------------|--------------------------------------|
|-------------------|--------------------------------------|-------------------------------------|------------------------------------|-------------------------------------|--------------------------------------|

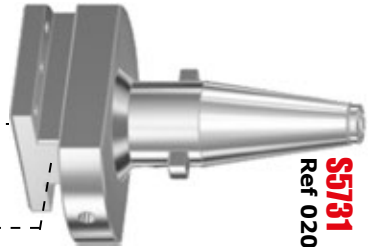
Tool-holder

S5700
Ref 019583

S5710
Ref 014154

S5731
Ref 020762

Cutting bit holder



Pilot

CL type pilot

Ø 9.52 mm - 3/8" shank
190 mm - 7.5" length



CL type pilot

Ø 9.52 mm - 3/8" shank
190 mm - 7.5" length



E type pilot

Ø 20 mm - .78" shank



S2700
90° rake angle
Ref 921228

S2710
90° rake angle
Ref 919409

S2711
90° rake angle
Ref 918768

S2730
90° rake angle
Ref 919513

S2710
90° rake angle
Ref 019409

S2711
90° rake angle
Ref 018768

S2730
90° rake angle
Ref 019513

E1/D1
80° draft angle
Ref 0xxxxx

D2/E2/E3
140° draft angle
Ref 0xxxxx

D2/E2/E3
80° draft angle
Ref 9xxxxx

D2/E2/E3
140° draft angle
Ref 0xxxxx

D2/E2/E3
80° draft angle
Ref 9xxxxx



SEED/ cutting system (TR) tooling range for seats machining

Machining capacity

Ø16 to Ø25 mm
Ø0.630" to Ø 0.980"

Ø20 to Ø40 mm
Ø0.787" to Ø1.181"

Ø35 to Ø70mm
Ø1.102" to Ø1.570"

Ø60 to Ø120 mm
Ø2.360" to Ø4.720"

Tool-holder

S5700
Ref 019583

S5710
Ref 014154

S5731
Ref 020762

Cutting bit holder

Pilot

Cutting bit

CL type pilot

Ø 9.52 mm - 3/8" shank
190 mm - 7.5" length



FULL FACE CBN BIT

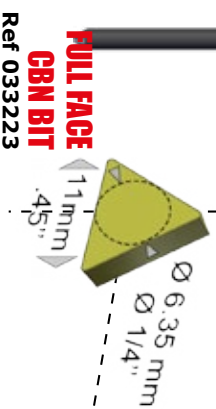


CL type pilot

Ø 9.52 mm - 3/8" shank
190 mm - 7.5" length



FULL FACE CBN BIT






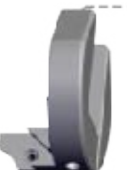




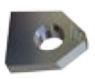
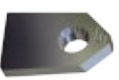






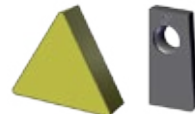
E type pilot

Ø 20 mm - .78" shank



SEED/ original cutting system tooling range for seats machining

| Capacity (seat Ø) | Ø18 to Ø30 mm Ø0.70" to Ø 1.180" | Ø28 to Ø42 mm Ø1.100" to Ø1.650" | Ø40 to Ø58mm Ø1.570" to Ø2.280" | Ø40 to Ø60 mm Ø1.570" to Ø2.360" | Ø58 to Ø80 mm Ø2.280" to Ø3.150" |
|---------------------------|---|--|--|---|--|
| Tool-holder |  <p style="text-align: center;">S5100 Ref 010021</p> | | |  <p style="text-align: center;">S5300 Ref 404079</p> | |
| Cutting bit holder |  <p style="text-align: center;">S2000 Ref 303390</p> |  <p style="text-align: center;">S2001 Ref 303391</p> |  <p style="text-align: center;">S2002 Ref 303392</p> |  <p style="text-align: center;">S2003 Ref 303393</p> |  <p style="text-align: center;">S2004 Ref 303394</p> |
| Pilot |  | | | | |
| Cutting bit | <p style="color: red; font-weight: bold;">G1 type pilot</p> <p>Ø 9.52 mm - 3/8" shank Ø 3.5 to Ø 14 mm 190 mm - 7.5" length</p> <div style="display: flex; justify-content: space-around; align-items: flex-start;"> <div style="text-align: center;"> <p style="color: red; font-weight: bold;">A1</p>  </div> <div style="text-align: center;"> <p style="color: red; font-weight: bold;">AL10</p>  </div> <div style="text-align: center;"> <p style="color: red; font-weight: bold;">AL11</p>  </div> <div style="text-align: center;"> <p style="color: red; font-weight: bold;">AL12</p>  </div> <div style="text-align: center;"> <p style="color: red; font-weight: bold;">B1</p>  </div> <div style="text-align: center;"> <p style="color: red; font-weight: bold;">B2</p>  </div> <div style="text-align: center;"> <p style="color: red; font-weight: bold;">B4</p>  </div> <div style="text-align: center;"> <p style="color: red; font-weight: bold;">AL13</p>  </div> </div> | | | | |



019583 SERDI 5700

- 753323 Pilot tightening screw (HC M5x10) x 1
- 753313 Tightning screw for cutting bit holder (HC M5x8) x 2



Only for cutting bit holder #2700

For the entire range of SERDI seat and guide machines

Accommodates any pilot size with Ø 9.52mm - 3/8" shank

014154 SERDI 5710

- 753332 Pilot tightening screw (HC M5x12) x 1
- 753313 Tightening screw for cutting bit holder (HC M5x8) x 4



Only for cutting bit holder #2700, #2710 and #2711

For the entire range of SERDI seat and guide machines

Accommodates any pilot size with Ø 9.52mm - 3/8" shank

020762 SERDI 5731

- 753350 Pilot tightening screw (HC M5x20) x 1
- 753313 Tightening screw for cutting bit holder (HC M5x8) x 6



Only for cutting bit holder #2730

For the entire range of SERDI seat and guide machines, except SERDI 3.0, SERDI 1.1 and SERDI 3.5

Accommodates any pilot size with Ø 20mm - 0.787" shank

021565 SERDI 5710+2"

- 753332 Pilot tightening screw (HC M5x12) x 1
- 753313 Tightening screw for cutting bit holder (HC M5x8) x 4



Only for cutting bit holder #2700, #2710 and #2711

For the entire range of SERDI seat and guide machines

Accommodates any pilot size with Ø 9.52mm - 3/8" shank

Tool holders

Original style



010021 SERDI 5100

- 753313 Pilot tightening screw (HC M5x8) x 1
- 753313 Tightening screw for cutting bit holder (HC M5x8) x 2



Only for cutting bit holder #2000, #2001, #2002

For the entire range of SERDI seat and guide machines

**Accommodates any pilot size with Ø 9.52mm - 3/8" shank
Accommodates the entire range of milling cutters for valve seat pocket counterboring**

404079 SERDI 5300

- 753313 Pilot tightening screw (HC M5x8) x 1
- 753313 Tightening screw for cutting bit holder (HC M5x8) x 2



Only for cutting bit holder #2003, #2004

For the entire range of SERDI seat and guide machines

Accommodates any pilot size with Ø 9.52mm - 3/8" shank

304443 SERDI 5100 + 2"

- 753313 Pilot tightening screw (HC M5x8) x 1
- 753313 Tightening screw for cutting bit holder (HC M5x8) x 2



**Only for cutting bit holder #2000, #2001, #2002
For the entire range of SERDI seat and guide machines**

**Accommodates any pilot size with Ø 9.52mm - 3/8" shank
Accommodates the entire range of milling cutters for valve seat pocket counterboring**

002879 SERDI 5100 + 6"

- 753340 Pilot tightening screw (HC M5x16) x 1
- 753313 Tightening screw for cutting bit holder (HC M5x8) x 2



Only for cutting bit holder #2000, #2001, #2002

For the entire range of SERDI seat and guide machines

Accommodates any pilot size with Ø 9.52mm - 3/8" shank



002884 SERDI 5300 + 6"

753340 Pilot tightening screw (HC M5x16) x 1

753313 Tightening screw for cutting bit holder (HC M5x8) x 2



Only for cutting bit holder #2003, #2004

For the entire range of SERDI seat and guide machines

Accommodates any pilot size with Ø 9.52mm - 3/8" shank

Tool holders

Special

024527 SERDI 57 MC

753313 Pilot tightening screw (HC M5x8) x 1



Only for SERDI milling cutters

For the entire range of SERDI seat and guide machines

Accommodates any pilot size with Ø 9.52mm - 3/8" shank

Accommodates the entire range of milling cutter for valve seat pocket counterboring

006903 SERDI 3100



Chuck: Morse Taper 2

For Ø2.5 mm to Ø16 mm (3/32" to 5/8") drills

404115 SERDI 3200



Adaptator ISO 30 (fits in SERDI spindles) to Morse Taper 2

Cutting bit holders

SCS



921228 SERDI 2700

- 753340 Adjusting diameter screw (HC M5x16) x 1
- 021145 Torx screw T15 (HC M3.5x9.5) x 1



Only for tool holder #5700 and #5710

Negative 0° rake angle: accomodates carbide cutting bits D1 part #0XXXX (E2 for particular applications only)



Ø 16 to 30 mm
Ø 0.630" to 1.181"

919409 SERDI 2710 - 0°

- 753350 Adjusting diameter screw (HC M5x20) x 1
- 021144 Tightening screw for cutting bit holder (HC M3.5x11) x 4



Only for tool holder #5710

Negative 0° rake angle: accomodates carbide cutting bits E2, E3, D2 part #9xxxxx



Ø 28 to 40 mm
Ø 1.102" to 1.570"

019409 SERDI 2710 - 8°

- 753350 Adjusting diameter screw (HC M5x20) x 1
- 021144 Tightening screw for cutting bit holder (HC M3.5x11) x 4



Only for tool holder #5710

Positive 8° rake angle: accomodates carbide cutting bits E2, E3, D2 part #0xxxxx





918768 SERDI 2711 - 0°

- 753370 Adjusting diameter screw (HC M5x30) x 1
- 021144 Torx screw T15 (HC M3.5x11) x 1



Only for tool holder #5710

Negative 0° rake angle: accomodates carbide cutting bits E2, E3, D2 part #9xxxxx



Ø 35 to 70 mm
Ø 1.38" to 2.76"

018768 SERDI 2711 - 8°

- 753370 Adjusting diameter screw (HC M5x30) x 1
- 021144 Torx screw T15 (HC M3.5x11) x 1



Only for tool holder #5710

Positive 8° rake angle: accomodates carbide cutting bits E2, E3, D2 part #0xxxxx

919513 SERDI 2730 - 0°

- 753370 Pilot tightening screw (HC M5x30) x 1
- 021144 Torx screw T15 (HC M3.5x11) x 1



Only for tool holder #5731

Negative 0° rake angle: accomodates carbide cutting bits E2, E3, D2 part #9xxxxx



Ø 60 to 120 mm
Ø 2.36" to 4.72"

019513 SERDI 52310- 8°

- 753370 Pilot tightening screw (HC M5x30) x 1
- 021144 Torx screw T15 (HC M3.5x11) x 1



Only for tool holder #5731

Positive 8° rake angle: accomodates carbide cutting bits E2, E3, D2 part #0xxxxx

Cutting bit holders

Original tooling



303390 SERDI 2000

- 753220 Adjusting diameter screw (HC M4x10) x 1
- 757010 Torx screw T8 (HC M3x10) x 1



Only for tool holder #5100
Accommodates carbide cutting bit A and B type



303391 SERDI 2001

- 753230 Adjusting diameter screw (HC M4x12) x 1
- 757010 Torx screw T8 (HC M3x10) x 1



Only for tool holder #5100
Accommodates carbide cutting bit A and B type



303392 SERDI 2002

- 753240 Adjusting diameter screw (HC M4x16) x 1
- 757010 Torx screw T8 (HC M3x10) x 1



Only for tool holder #5100
Accommodates carbide cutting bit A and B type



303393 SERDI 2003

- 753415 Adjusting diameter screw (HC M6x16) x 1
- 757010 Torx screw T8 (HC M3x10) x 1



Only for tool holder #5300
Accommodates carbide cutting bit A and B type



303394 SERDI 2004

- 753425 Adjusting diameter screw (HC M6x20) x 1
- 757010 Torx screw T8 (HC M3x10) x 1



Only for tool holder #5300
Accommodates carbide cutting bit A and B type



035777 S2700 TRI-0

753340 Adjusting diameter screw (HC M5x16) x 1
031738 Bit clamp + screw (CHC M3)

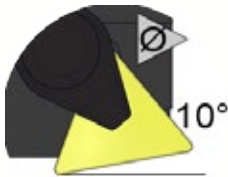


For tool holder #5700 and #5710

0° single angle tip holder for triangular cutting bit 6 mm edges 031742 (order separately).

035778 S2730 TRI-10

753340 Adjusting diameter screw (HC M5x16) x 1
031738 Bit clamp + screw (CHC M3)



For tool holder #5700 and #5710

10° single angle tip holder for triangular cutting bit 6 mm edges 031742 (order separately).

035779 S2730 TRI-20

753340 Adjusting diameter screw (HC M5x16) x 1
031738 Bit clamp + screw (CHC M3)



For tool holder #5700 and #5710

20° single angle tip holder for triangular cutting bit 6 mm edges 031742 (order separately).

035780 S2730 TRI-30

753340 Adjusting diameter screw (HC M5x16) x 1
031738 Bit clamp + screw (CHC M3)



For tool holder #5700 and #5710

30° single angle tip holder for triangular cutting bit 6 mm edges 031742 (order separately).

035781 S2730 TRI-45

753340 Adjusting diameter screw (HC M5x16) x 1
031738 Bit clamp + screw (CHC M3)



For tool holder #5700 and #5710

45° single angle tip holder for triangular cutting bit 6 mm edges 031742 (order separately).

035782 S2730 TRI-60

753340 Adjusting diameter screw (HC M5x16) x 1
031738 Bit clamp + screw (CHC M3)

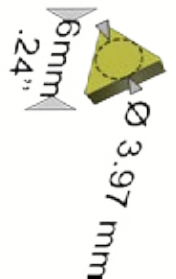


For tool holder #5700 and #5710

60° single angle tip holder for triangular cutting bit 6 mm edges 031742 (order separately).



Ø with S5700
 - mini Ø16 mm - 0.630"
 - maxi Ø25 mm - 0.980"
Ø with S5710
 - mini Ø20 mm
 - maxi Ø40 mm





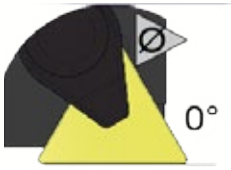
Cutting bit holders

TRI



034665 S2711 TRI-0

753370 Adjusting diameter screw (HC M5x30) x 1
032263 Bit clamp + screw (CHC M4)

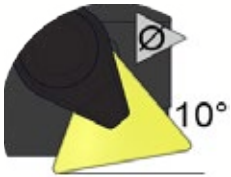


Only for tool holder #5710

0° single angle tip holder for triangular cutting bit 11 mm edges 033223 (order separately).

034667 S2711 TRI-10

753370 Adjusting diameter screw (HC M5x30) x 1
032263 Bit clamp + screw (CHC M4)



Only for tool holder #5710

10° single angle tip holder for triangular cutting bit 11 mm edges 033223 (order separately).

034669 S2711 TRI-20

753370 Adjusting diameter screw (HC M5x30) x 1
032263 Bit clamp + screw (CHC M4)



Only for tool holder #5710

20° single angle tip holder for triangular cutting bit 11 mm edges 033223 (order separately).

034671 S2711 TRI-30

753370 Adjusting diameter screw (HC M5x30) x 1
032263 Bit clamp + screw (CHC M4)



Only for tool holder #5710

30° single angle tip holder for triangular cutting bit 11 mm edges 033223 (order separately).

034673 S2711 TRI-45

753370 Adjusting diameter screw (HC M5x30) x 1
032263 Bit clamp + screw (CHC M4)



Only for tool holder #5710

45° single angle tip holder for triangular cutting bit 11 mm edges 033223 (order separately).

034675 S2711 TRI-60

753370 Adjusting diameter screw (HC M5x30) x 1
032263 Bit clamp + screw (CHC M4)

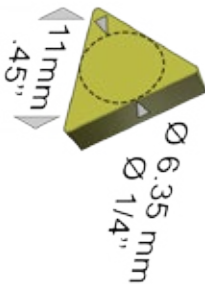


Only for tool holder #5710

60° single angle tip holder for triangular cutting bit 11 mm edges 033223 (order separately).



Ø with S5710
- mini Ø35 mm
- maxi Ø70 mm



034664 S2730 TRI-0

753370 Adjusting diameter screw (HC M5x30) x 1
032263 Bit clamp + screw (CHC M4)

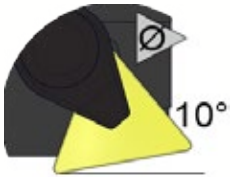


Only for tool holder #5731

0° single angle tip holder for triangular cutting bit 11 mm edges 033223 (order separately).

034666 S2730 TRI-10

753370 Adjusting diameter screw (HC M5x30) x 1
032263 Bit clamp + screw (CHC M4)



Only for tool holder #5731

10° single angle tip holder for triangular cutting bit 11 mm edges 033223 (order separately).

034668 S2730 TRI-20

753370 Adjusting diameter screw (HC M5x30) x 1
032263 Bit clamp + screw (CHC M4)



Only for tool holder #5731

20° single angle tip holder for triangular cutting bit 11 mm edges 033223 (order separately).

034670 S2730 TRI-30

753370 Adjusting diameter screw (HC M5x30) x 1
032263 Bit clamp + screw (CHC M4)



Only for tool holder #5731

30° single angle tip holder for triangular cutting bit 11 mm edges 033223 (order separately).

034672 S2730 TRI-45

753370 Adjusting diameter screw (HC M5x30) x 1
032263 Bit clamp + screw (CHC M4)



Only for tool holder #5731

45° single angle tip holder for triangular cutting bit 11 mm edges 033223 (order separately).

034674 S2730 TRI-60

753370 Adjusting diameter screw (HC M5x30) x 1
032263 Bit clamp + screw (CHC M4)

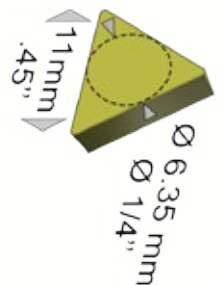


Only for tool holder #5731

60° single angle tip holder for triangular cutting bit 11 mm edges 033223 (order separately).



Ø with S5731
- mini Ø60 mm
- maxi Ø120 mm



Cutting bit holders screw drivers



012205 T15 torx screw driver



The SERDI standard Torx Screw driver for new style tooling

582501 T8 torx screw driver



The SERDI standard Torx Screw driver for original style tooling

025166 Hexagonal 3mm screw driver

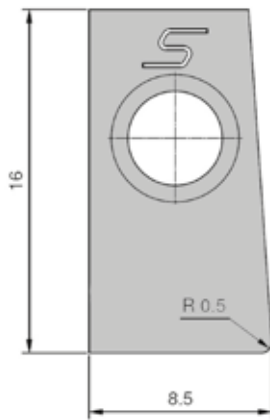


The SERDI standard hexagonal screw driver for TRI tooling to use with the clamp 032263



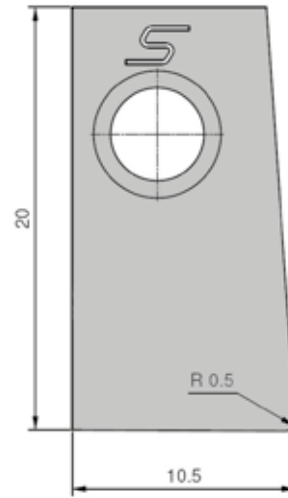
Cutting bit D1

019584



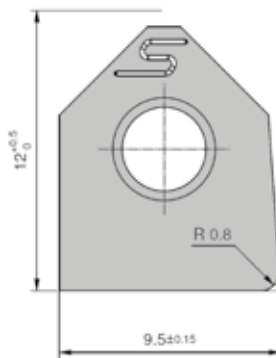
Cutting bit D2

- 017323 (0° cutting) -917323 (8° cutting)



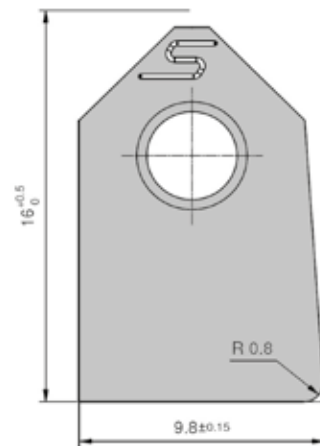
Cutting bit AL11

005168



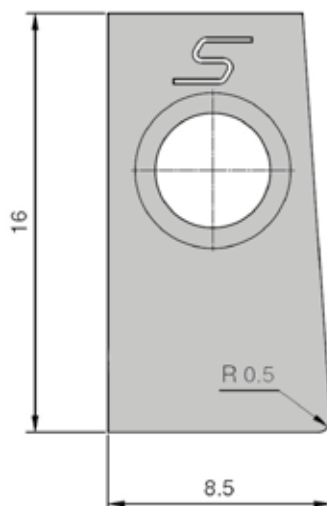
Cutting bit AL12

005164



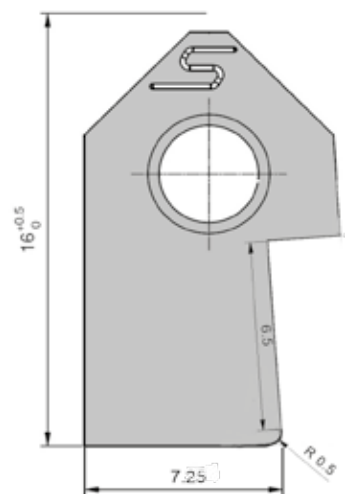
Cutting bit AL10

304604



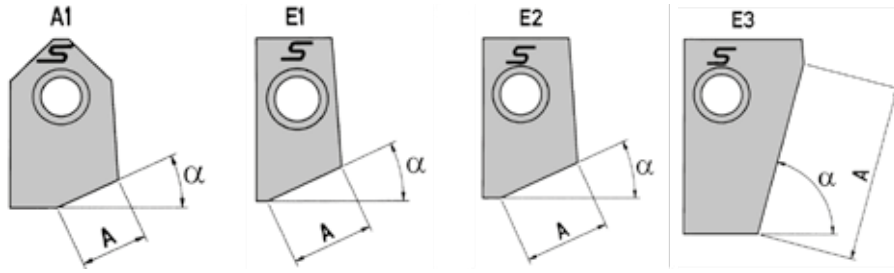
Cutting bit L12

013344



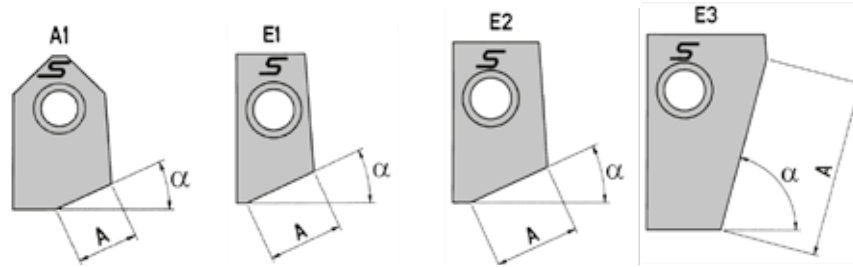
Standard cutting bits - the most popular profiles (see price lists) are registered in red.

Cutting bits **single angle**



| | α Degree | A | | A1 | E1 | E2 -0° | E2 -8° | E3 -0° | E3 -8° | Original SERDI part |
|----|--------------------|-------|--------|---------------|---------------|---------------|---------------|--------|--------|------------------------|
| | | mm | inch | | | | | | | |
| 1 | 7 | 8,00 | 0,3150 | 014203 | 022369 | | | | | |
| 2 | 7 | 9,00 | 0,3543 | | | 922371 | 022371 | | | |
| 3 | 8 | 6,00 | 0,2362 | 000586 | 022370 | | | | | 100-A1 |
| 4 | 8 | 9,00 | 0,3543 | | | 922177 | 022177 | | | |
| 5 | 10 | 8,00 | 0,3150 | | 022372 | | | | | |
| 6 | 10 | 9,00 | 0,3543 | 018151 | | 922373 | 022373 | | | |
| 7 | 11 | 6,00 | 0,2362 | 000587 | 022374 | | | | | 101-A1 |
| 8 | 11 | 9,00 | 0,3543 | | | 922178 | 022178 | | | |
| 9 | 15 | 6,00 | 0,2362 | 000588 | | | | | | 102-A1 |
| 10 | 15 | 8,00 | 0,3150 | 000106 | 022375 | | | | | SC500 |
| 11 | 15 | 9,00 | 0,3543 | | | 921966 | 021966 | | | |
| 12 | 15 | 9,50 | 0,3740 | 014202 | | | | | | |
| 13 | 15 | 11,00 | 0,4331 | | | | | 921968 | 021968 | |
| 14 | 20 | 6,00 | 0,2362 | 000590 | | | | | | 103-A1 |
| 15 | 20 | 8,00 | 0,3150 | | 022376 | | | | | SC501 |
| 16 | 20 | 9,00 | 0,3543 | 025292 | | 921967 | 021967 | | | |
| 17 | 20 | 11,50 | 0,4528 | | | | | 921969 | 021969 | |
| 18 | 20 | 10,10 | 0,3976 | 000648 | | | | | | 117-AL12 |
| 19 | 25 | 8,00 | 0,3150 | 000592 | 022377 | | | | | 104-A1 |
| 20 | 25 | 9,00 | 0,3543 | | | 921880 | 021880 | | | |
| 21 | 30 | 8,00 | 0,3150 | | 022378 | | | | | 105-A1 / SC502 |
| 22 | 30 | 9,00 | 0,3543 | 000593 | | 920618 | 020618 | | | |
| 23 | 30 | 12,00 | 0,4724 | | | | | 921487 | 021487 | |
| 24 | 30.25 | 8,00 | 0,3150 | | 022381 | | | | | |
| 25 | 30,25 | 9,00 | 0,3543 | 019152 | | 922380 | 022380 | | | |
| 26 | 31 | 8,00 | 0,3150 | 016669 | 022383 | | | | | |
| 27 | 31 | 9,00 | 0,3543 | | | 922382 | 022382 | | | |
| 28 | 32 | 8,00 | 0,3150 | 000595 | 022384 | | | | | 106-A1 |
| 29 | 32 | 10,00 | 0,3937 | | | 922179 | 022179 | | | |
| 30 | 35 | 8,00 | 0,3150 | 000596 | 022385 | | | | | 107-A1 |
| 31 | 35 | 9,00 | 0,3543 | | | 921739 | 021739 | | | |
| 32 | 40 | 8,00 | 0,3150 | | 022386 | | | | | |
| 33 | 40 | 10,00 | 0,3937 | 000653 | | 922387 | 022387 | | | 120-AL12 |
| 34 | 45 | 6,00 | 0,2362 | 000597 | | | | | | 108-A1 |
| 35 | 45 | 9,00 | 0,3543 | 000647 | 022379 | | | | | 116-A1 / SC503 |
| 36 | 45 | 10,50 | 0,4134 | | | 920619 | 020619 | | | |
| 37 | 45 | 16,00 | 0,6299 | | | | | 921488 | 021488 | |
| 38 | 45.25 | 8,00 | 0,3150 | 019153 | 022388 | | | | | SC504 |
| 39 | 45,25 | 10,00 | 0,3937 | | | 922389 | 022389 | | | |
| 40 | 45.40 | 10,50 | 0,4134 | | | 921486 | 021486 | | | |

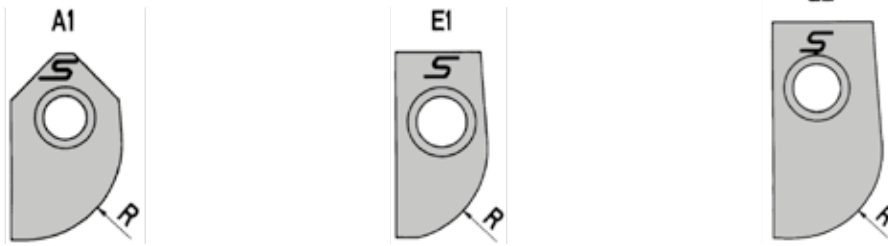




| | α Degree | A | | A1 | B1 | E1 | E2 -0° | E2 -8° | E3 -0° | E3 -8° | Original SERDI part |
|----|--------------------|------|--------|---------------|---------------|---------------|---------------|---------------|--------|--------|------------------------|
| | | mm | inch | | | | | | | | |
| 1 | 50 | 8 | 0,3150 | | | 022390 | | | | | 114-A1 |
| 2 | 50 | 9 | 0,3543 | 000645 | | | | | | | |
| 3 | 50 | 10 | 0,3937 | | | | 922391 | 022391 | | | |
| 4 | 55 | 8 | 0,3150 | 000861 | | 022392 | | | | | 201-A1 |
| 5 | 55 | 12 | 0,4724 | | | | 922181 | 022181 | | | |
| 6 | 60 | 8 | 0,3150 | 000862 | | 022394 | | | | | 202-A1 |
| 7 | 60 | 9 | 0,3543 | 000865 | | | | | | | SC505 |
| 8 | 60 | 12 | 0,4724 | | | | 922182 | 022182 | | | |
| 9 | 60 | 16 | 0,6299 | | | | | | 926995 | 026995 | |
| 10 | 65 | 8 | 0,3150 | | | 022395 | | | | | |
| 11 | 65 | 9 | 0,3543 | 011837 | | | | | | | |
| 12 | 65 | 11 | 0,4331 | | | | 922393 | 022393 | | | |
| 13 | 67 | 7 | 0,2756 | 000867 | | | | | | | 203-A1 |
| 14 | 67 | 8 | 0,3150 | | | 022399 | | | | | |
| 15 | 67 | 12 | 0,4724 | | | | 922183 | 022183 | | | |
| 16 | 70 | 8 | 0,3150 | 025842 | | 022397 | | | | | 204-A1 |
| 17 | 70 | 12 | 0,4724 | | | 021299 | 921299 | 021199 | | | |
| 18 | 70 | 16 | 0,6299 | | 019154 | | | | 922396 | 022396 | |
| 19 | 70 | 16.8 | 0,6496 | | | | | | | | SC506-B3 |
| 20 | 75 | 7 | 0,2756 | 000871 | | | | | | | 205-A1 |
| 21 | 75 | 8 | 0,3150 | 000872 | | 022398 | | | | | SC507 |
| 22 | 75 | 12 | 0,4724 | | | | 922185 | 022185 | | | |
| 23 | 75 | 16.4 | 0,6457 | | 013377 | | | | | | SC508-B3 |
| 24 | 75 | 19 | 0,7480 | | | | | | 922408 | 022408 | |
| 25 | 78 | 7 | 0,2756 | 000952 | | | | | | | 216-AL12 |
| 26 | 78 | 8 | 0,3150 | | | 022409 | | | | | |
| 27 | 78 | 12 | 0,4724 | | | | 922410 | 022410 | | | |
| 28 | 80 | 8 | 0,3150 | 000951 | | 022411 | | | | | 215-AL12 |
| 29 | 80 | 12 | 0,4724 | 025217 | | | 922412 | 022412 | | | SC509-B3 |
| 30 | 82 | 7 | 0,2756 | 000874 | | | | | | | 206-A1 |
| 31 | 82 | 8 | 0,3150 | | | 022400 | | | | | |
| 32 | 82 | 11.5 | 0,4527 | 025364 | | | 922186 | 022186 | 923370 | 023370 | SC510-B3 |
| 33 | 83 | 8 | 0,3150 | 006735 | | 022413 | | | | | |
| 34 | 83 | 12 | 0,4724 | | | | 922414 | 022414 | | | |
| 35 | 88 | 7 | 0,2756 | 007263 | | | | | | | |
| 36 | 88 | 8 | 0,3150 | | | 022415 | | | | | |
| 37 | 88 | 12 | 0,4724 | | | | 922416 | 022416 | | | |

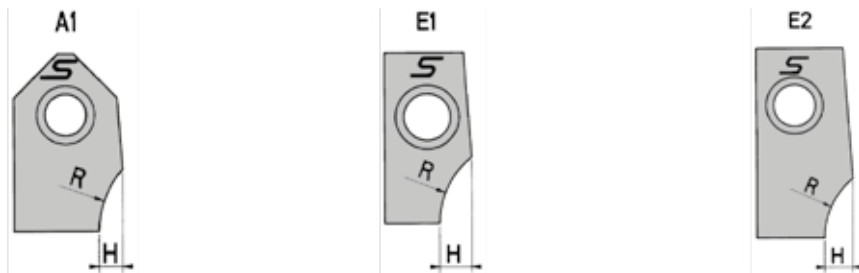
Standard cutting bits - the most popular profiles (see price lists) are registered in red.

Cutting bits **single convex radius**



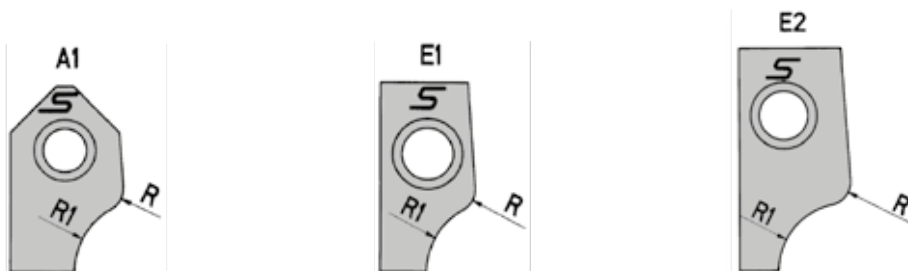
| | Radius | | A1 | E1 | E2 -0° | E2 -8° | Original SERDI part |
|---|--------|--------|--------|--------|--------|--------|---------------------|
| | mm | inch | | | | | |
| 1 | 4.5 | 0,1772 | 001653 | 022417 | 922418 | 022418 | 504-A1 |
| 2 | 5 | 0,1969 | 001673 | 022419 | 922089 | 022089 | 522-A1 |
| 3 | 7 | 0,2756 | 001660 | 022420 | 922421 | 022421 | 511-A1 |
| 4 | 8 | 0,3150 | 001675 | 022422 | 922423 | 022423 | 527-A1 |
| 5 | 27 | 1,0630 | 001668 | 022424 | 922425 | 022425 | 518-A1 |

Cutting bits **single concave radius cutting bits**



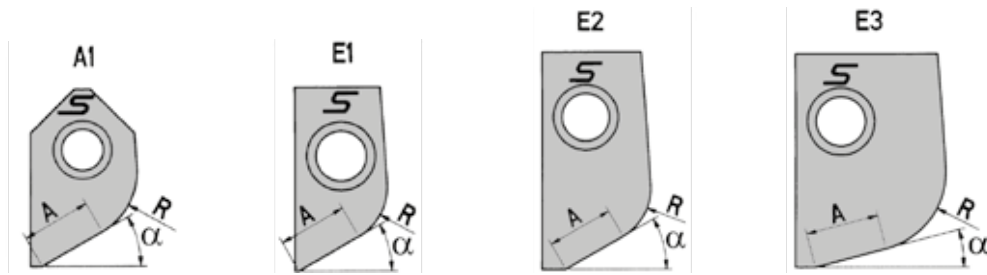
| | Radius | | H | | A1 | E1 | E2 -0° | E2 -8° | Original SERDI part |
|----|--------|--------|------|--------|--------|--------|--------|--------|---------------------|
| | mm | inch | mm | inch | | | | | |
| 6 | 8 | 0,3150 | 2.00 | 0,0787 | 018952 | 018953 | | | |
| 7 | 8 | 0,3150 | 3.00 | 0,1181 | 008661 | 022427 | 922428 | 022428 | |
| 8 | 12 | 0,4724 | 2.00 | 0,0787 | 001649 | | | | 501-A1 |
| 9 | 12 | 0,4724 | 2.40 | 0,0945 | 017301 | | | | |
| 10 | 12 | 0,4724 | 2.50 | 0,0984 | | 022429 | 922430 | 022430 | |

Cutting bits **twin radius cutting bits**



| | Radius R1 | | Radius R | | A1 | E1 | E2 -0° | E2 -8° | Original SERDI part |
|----|-----------|--------|----------|--------|--------|--------|--------|--------|---------------------|
| | mm | inch | mm | inch | | | | | |
| 11 | 5 | 0,1969 | 2 | 0,0787 | 001655 | 022431 | 922432 | 022432 | 506-A1 |
| 12 | 6 | 0,2362 | 2 | 0,0787 | 017935 | 022433 | 922434 | 022434 | |

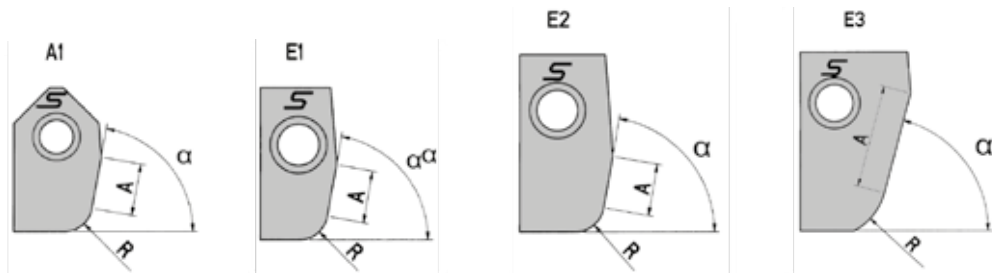




| | α Degree | A | | R | | A1 | E1 | E2 -0° | E2 -8° | E3 -0° | E3 -8° | Original SERDI part |
|----|--------------------|------|--------|-----|--------|--------|--------|--------|--------|--------|--------|------------------------|
| | | mm | inch | mm | inch | | | | | | | |
| 1 | 15 | 3,00 | 0,1181 | 6.5 | 0.2559 | 001665 | 022435 | 922436 | 022436 | | | 516-A1 |
| 2 | 15 | 2,90 | 0,1142 | 7 | 0,2756 | | 022437 | | | | | |
| 3 | 15 | 4,00 | 0,1575 | 7 | 0,2756 | 019155 | | 922438 | 022438 | | | SC618 |
| 4 | 15 | 5,00 | 0,1969 | 5 | 0,1969 | 025200 | 025365 | 927113 | 027113 | | | SC616 |
| 5 | 15 | 5,20 | 0,2047 | 4 | 0,1575 | | 022439 | | | | | |
| 6 | 15 | 5,50 | 0,2165 | 4 | 0,1575 | 012835 | | 922440 | 022440 | | | SC614 |
| 7 | 15 | 6,40 | 0,2520 | 7 | 0,2756 | 013328 | | | | | | SC620 |
| 8 | 15 | 6,50 | 0,2559 | 7 | 0,2756 | | | | | 922442 | 022442 | |
| 9 | 20 | 3,00 | 0,1181 | 12 | 0,4724 | 001664 | 022441 | 922443 | 022443 | | | 515-A1 |
| 10 | 20 | 4,00 | 0,1575 | 2 | 0,0787 | 006784 | 022444 | 922446 | 022446 | | | 508-A1 |
| 11 | 28 | 4,00 | 0,1575 | 5 | 0,1969 | | 022445 | | | | | 523-A1 |
| 12 | 28 | 5,60 | 0,2205 | 5 | 0,1969 | 005335 | | | | | | |
| 13 | 28 | 7,00 | 0,2756 | 5 | 0,1969 | | | 922448 | 022448 | | | |
| 14 | 30 | 4,40 | 0,1732 | 7 | 0,2756 | 019156 | 022447 | 922449 | 022449 | | | SC619 |
| 15 | 30 | 5,70 | 0,2244 | 4 | 0,1575 | 019157 | 022450 | 922482 | 022482 | | | SC615 |
| 16 | 30 | 6,00 | 0,2362 | 5 | 0,1969 | 019158 | 022483 | 922484 | 022484 | | | SC617 |
| 17 | 30 | 7,00 | 0,2756 | 1 | 0,0394 | | 022485 | | | | | |
| 18 | 30 | 8,00 | 0,3150 | 1 | 0,0394 | | | 922486 | 022486 | | | |
| 19 | 30 | 9,00 | 0,3543 | 1 | 0,0394 | 000646 | | | | | | 115-A1 |
| 20 | 32 | 5,00 | 0,1969 | 5 | 0,1969 | 006966 | 022487 | 922488 | 022488 | | | 514-A1 |
| 21 | 45 | 5,00 | 0,1969 | 10 | 0,3937 | 000600 | 022489 | 922490 | 022490 | | | 109-A1 |

Standard cutting bits - the most popular profiles (see price lists) are registered in red.

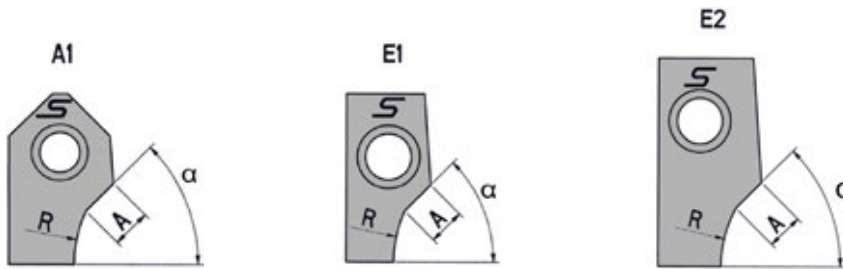
Cutting bits 1 radius with straight angle



| | α Degree | A | | R | | A1 | B1 | E1 | E2 | | E3 | | Original SERDI part |
|----|--------------------|-------|--------|-----|--------|--------|--------|--------|--------|--------|--------|--------|---------------------|
| | | mm | inch | mm | inch | | | | -0° | -8° | -0° | -8° | |
| 1 | 45 | 3,00 | 0,1181 | 1 | 0,0394 | 001662 | | 022491 | 922492 | 022492 | | | 512-A1 |
| 2 | 71 | 6,00 | 0,2362 | 2,5 | 0,0984 | | | 022494 | | | | | |
| 3 | 71 | 10,00 | 0,3937 | 2,5 | 0,0984 | 001674 | | | 922493 | 022493 | | | 525-B3 |
| 4 | 75 | 5,00 | 0,1969 | 12 | 0,4724 | | | 022495 | | | | | |
| 5 | 75 | 5,50 | 0,2165 | 12 | 0,4724 | 001667 | | | 922496 | 022496 | | | 517-A1 |
| 6 | 75 | 10,00 | 0,3937 | 1,5 | 0,0591 | 000406 | | | 922498 | 022498 | | | 524-B3 |
| 7 | 75 | 4,00 | 0,1575 | 7 | 0,2756 | | | 026283 | | | | | |
| 8 | 75 | 8,00 | 0,3150 | 7 | 0,2756 | | | | 925472 | 025472 | | | SC621B3 |
| 9 | 75 | 12,00 | 0,4724 | 7 | 0,2756 | | 009225 | | 935278 | 035278 | 922499 | 022499 | |
| 10 | 77 | 4,00 | 0,1575 | 2,5 | 0,0984 | 001652 | | 022426 | 922321 | 022321 | | | 503-A1 |
| 11 | 80 | 5,50 | 0,2165 | 3 | 0,1181 | 010730 | | 022520 | 922521 | 022521 | | | 513-A1 |
| 12 | 80 | 4,00 | 0,1575 | 7 | 0,2756 | | | 025080 | | | | | |
| 13 | 80 | 9,00 | 0,3543 | 7 | 0,2756 | | 013926 | | | | 922522 | 022522 | SC622B3 |

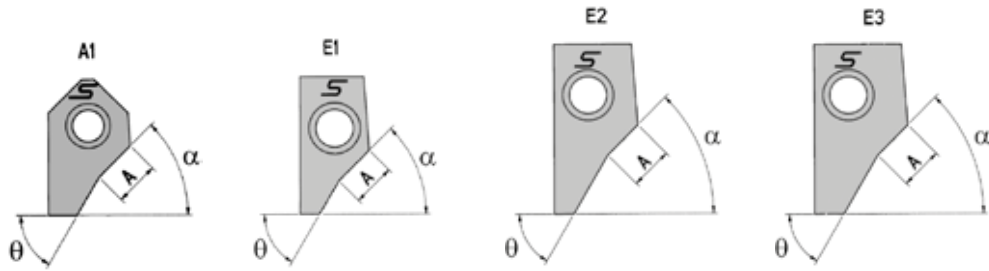
Standard cutting bits - the most popular profiles (see price lists) are registered in red.

Cutting bits single concave radius - 1 angle



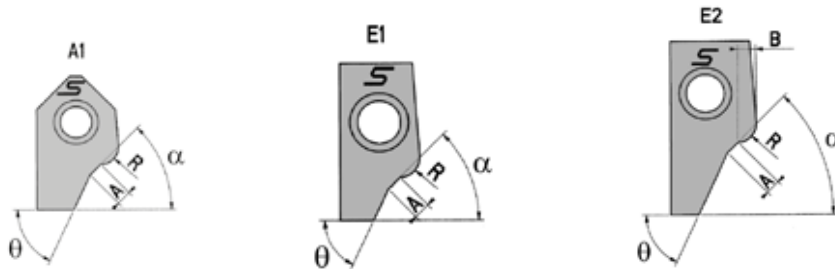
| | α Degree | A | | R | | A1 | E1 | E2 -0° | E2 -8° | Original SERDI part |
|----|--------------------|------|--------|----|--------|--------|--------|--------|--------|---------------------|
| | | mm | inch | mm | inch | | | | | |
| 22 | 45 | 3,50 | 0,1378 | 12 | 0,4724 | 001651 | 022523 | | | 502-A1 |
| 23 | 45 | 3,50 | 0,1378 | 12 | 0,4724 | | | 922524 | 022524 | |
| 24 | 45 | 4,00 | 0,1575 | 5 | 0,1969 | 005465 | 022525 | 922526 | 022526 | 44003-A1 |
| 25 | 45 | 4,00 | 0,1575 | 6 | 0,2362 | 001628 | 022527 | 922528 | 022528 | 44004-A1 |
| 26 | 48 | 2,70 | 0,1063 | 10 | 0,3937 | 005720 | 022533 | 922534 | 022534 | |
| 27 | 48 | 2,80 | 0,1102 | 8 | 0,3150 | 005719 | 022529 | 922530 | 022530 | |



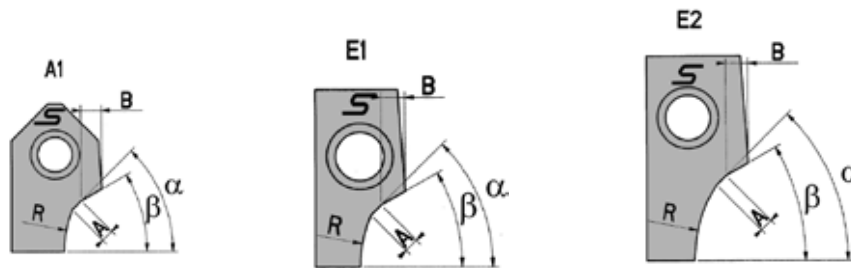


| | α Degree | A | | θ Degree | A1 | E1 | E2 | | E3 | | Original SERDI part |
|----|--------------------|------|--------|--------------------|--------|--------|--------|--------|--------|--------|------------------------|
| | | mm | inch | | | | -0° | -8° | -0° | -8° | |
| 1 | 10 | 1,00 | 0,0394 | 20 | 000574 | | | | 922535 | 022535 | 008-B3 |
| 2 | 15 | 1,00 | 0,0394 | 30 | 000573 | 022584 | 922536 | 022536 | | | 007-A1 |
| 3 | 20 | 3,20 | 0,1260 | 60 | 000968 | 022586 | 922585 | 022585 | | | 23001-A1 |
| 4 | 25 | 2,50 | 0,0984 | 45 | 001642 | 022588 | 922587 | 022587 | | | 46002-A1 |
| 5 | 30 | 3,00 | 0,1181 | 45 | 001174 | 022590 | 922589 | 022589 | | | 33005-A1 |
| 6 | 30 | 3,00 | 0,1181 | 50 | 001171 | 022592 | 922591 | 022591 | | | 33001-A1 |
| 7 | 30 | 5,00 | 0,1969 | 60 | 005272 | 022594 | 922593 | 022593 | | | 35001-A1 |
| 8 | 35 | 3,80 | 0,1496 | 60 | 015130 | 022596 | 922595 | 022595 | | | |
| 9 | 45 | 3,60 | 0,1417 | 60 | 015129 | 022598 | 922597 | 022597 | | | |
| 10 | 45 | 5,00 | 0,1969 | 60 | 001637 | 022600 | 922601 | 022601 | 922599 | 022599 | 45001-B1 |
| 11 | 45 | 5,00 | 0,1969 | 60 | 001638 | 022600 | 922601 | 022601 | | | 45002-A1 |
| 12 | 45 | 7,00 | 0,2756 | 60 | 001645 | | | | 922603 | 022603 | 47001-B1 |
| 13 | 60 | 2,00 | 0,0787 | 75 | 001656 | 022602 | 922605 | 022605 | | | 507-A1 |
| 14 | 60 | 6,50 | 0,2559 | 20 | 006967 | 022604 | 922607 | 022607 | | | 001-B1 |
| 15 | 60 | 6,50 | 0,2559 | 30 | 000571 | 022606 | 922609 | 022609 | | | 003-A1 |
| 16 | 75 | 5,00 | 0,1969 | 30 | 006968 | 022608 | 922611 | 022611 | | | 002-A1 |
| 17 | 75 | 6,50 | 0,2559 | 15 | 000572 | 022610 | 922613 | 022613 | | | 004-A1 |

Cutting bits **tw**in angles one radius



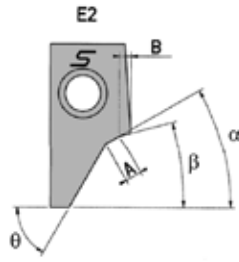
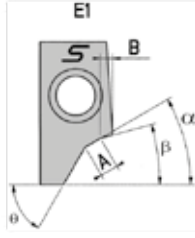
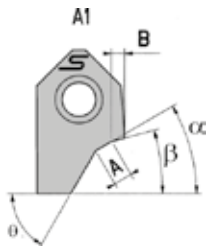
| | α Degree | A | | R | | θ Degree | A1 | E1 | E2 -0° | E2 -8° | Original SERDI part |
|----|--------------------|------|--------|------|--------|--------------------|--------|--------|--------|--------|------------------------|
| | | mm | inch | mm | inch | | | | | | |
| 1 | 30 | 2,20 | 0,0866 | 2,50 | 0,0984 | 70 | 006218 | 022612 | 922615 | 022615 | 32016-A1 |
| 2 | 30 | 3,50 | 0,1378 | 0,60 | 0,0236 | 60 | 007016 | 022614 | 922617 | 022617 | 33009-A1 |
| 3 | 45 | 1,00 | 0,0394 | 6,00 | 0,2362 | 65 | 001272 | 022616 | 922619 | 022619 | 41006-A1 |
| 4 | 45 | 1,20 | 0,0472 | 6,00 | 0,2362 | 65 | 001297 | 022618 | 922621 | 022621 | 41034-A1 |
| 5 | 45 | 1,30 | 0,0512 | 6,30 | 0,2480 | 65 | 001324 | 022620 | 922623 | 022623 | 41063-A1 |
| 6 | 45 | 1,50 | 0,0591 | 6,00 | 0,2362 | 60 | 001354 | 022624 | 922625 | 022625 | 41090-A1 |
| 7 | 45 | 1,70 | 0,0669 | 2,00 | 0,0787 | 65 | 005459 | 022626 | 922627 | 022627 | 41130-A1 |
| 8 | 45 | 2,70 | 0,1063 | 2,50 | 0,0984 | 60 | 001570 | 022628 | 922629 | 022629 | 42067-A1 |
| 9 | 45 | 2,80 | 0,1102 | 2,00 | 0,0787 | 65 | 001571 | 022638 | 922639 | 022639 | 42069-A1 |
| 10 | 45 | 3,00 | 0,1181 | 0,60 | 0,0236 | 60 | 001615 | 022640 | 922641 | 022641 | 43005-A1 |
| 11 | 45 | 3,50 | 0,1378 | 0,60 | 0,0236 | 60 | 007017 | 022642 | 922643 | 022643 | 43009-A1 |



| | α Degree | A | | B | | θ Degree | R | | A1 | E1 | E2 -0° | E2 -8° | Original SERDI part |
|----|--------------------|------|--------|------|--------|--------------------|------|--------|---------------|---------------|---------------|---------------|------------------------|
| | | mm | inch | mm | inch | | mm | inch | | | | | |
| 12 | 30 | 1,00 | 0,0394 | 1,93 | 0,0760 | 15 | 12 | 0,4724 | 001091 | 022644 | 922645 | 022645 | 31002-A1 |
| 13 | 35 | 1,00 | 0,0394 | 1,93 | 0,0760 | 15 | 12 | 0,4724 | 001189 | 022646 | 922647 | 022647 | 35102-A1 |
| 14 | 45 | 1,00 | 0,0394 | 1,53 | 0,0602 | 40 | 5 | 0,1969 | 001285 | 022648 | 922649 | 022649 | 41023-A1 |
| 15 | 45 | 1,00 | 0,0394 | 1,53 | 0,0602 | 40 | 12 | 0,4724 | 000432 | 022650 | 922651 | 022651 | 41022-A1 |
| 16 | 45 | 1,00 | 0,0394 | 1,93 | 0,0760 | 15 | 12 | 0,4724 | 001283 | 022652 | 922284 | 022284 | 41019-A1 |
| 17 | 45 | 1,20 | 0,0472 | 4,00 | 0,1575 | 40 | 7.5 | 0,2953 | 001298 | 022654 | 922653 | 022653 | 41035-A1 |
| 17 | 45 | 1,30 | 0,0512 | 2,15 | 0,0846 | 30 | 12 | 0,4724 | 019160 | | 922519 | 022519 | HP1953-B1 |
| 18 | 45 | 1,30 | 0,0512 | 2,15 | 0,0846 | 30 | 12 | 0,4724 | 001323 | 022497 | 922655 | 022655 | 41062-B2 |
| 19 | 45 | 1,50 | 0,0591 | 1,53 | 0,0602 | 40 | 12 | 0,4724 | 001368 | 022656 | 922657 | 022657 | 41100-A1 |
| 20 | 45 | 1,50 | 0,0591 | 1,56 | 0,0614 | 30 | 12 | 0,4724 | 006115 | 022658 | 922659 | 022659 | 41171-A1 |
| 21 | 45 | 1,50 | 0,0591 | 1,93 | 0,0760 | 15 | 12 | 0,4724 | 001363 | 022660 | 922661 | 022661 | 41098-A1 |
| 22 | 45 | 1,65 | 0,0650 | 1,27 | 0,0500 | 30 | 10.8 | 0,4252 | 019161 | 022662 | 922663 | 022663 | HP1583-A1 |

Standard cutting bits - the most popular profiles (see price lists) are registered in **red**.

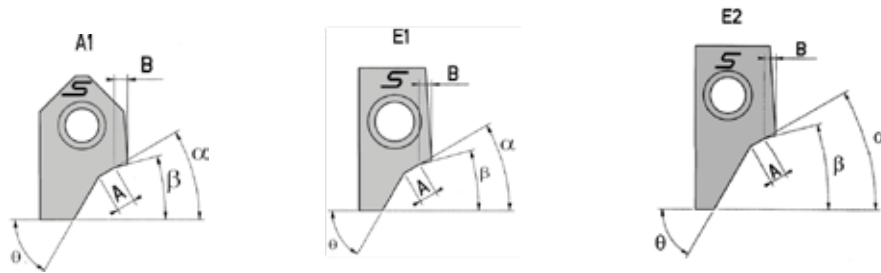




| | α Degree | A | | B | | β Degree | θ Degree | A1 | E1 | E2 -0° | E2 -8° | Original SERDI part |
|----|--------------------|------|--------|------|--------|-------------------|--------------------|--------|--------|--------|--------|------------------------|
| | | mm | inch | mm | inch | | | | | | | |
| 1 | 30 | 1.00 | 0,0394 | 1.40 | 0,0551 | 15 | 60 | 001126 | 022664 | 921285 | 021285 | 310-A1 |
| 2 | 30 | 1.30 | 0,0512 | 1.00 | 0,0394 | 15 | 45 | 019162 | 022666 | 922665 | 022665 | SC300 |
| 3 | 30 | 1.30 | 0,0512 | 2.00 | 0,0787 | 15 | 45 | 011648 | 022668 | 922667 | 022667 | SC301 |
| 4 | 30 | 1.30 | 0,0512 | 2.00 | 0,0787 | 15 | 60 | 019163 | 022670 | 922669 | 022669 | SC302 |
| 5 | 30 | 1.50 | 0,0591 | 1.00 | 0,0394 | 20 | 60 | 017140 | 022672 | 922671 | 022671 | 15E30D60-A1 |
| 6 | 30 | 1.50 | 0,0591 | 1.40 | 0,0551 | 15 | 45 | 019164 | 022676 | 922673 | 022673 | SC303 |
| 7 | 30 | 1.50 | 0,0591 | 1.40 | 0,0551 | 15 | 60 | 000551 | 022674 | 921286 | 021286 | 315-A1 |
| 8 | 30 | 1.50 | 0,0591 | 1.80 | 0,0709 | 15 | 45 | 000756 | 025367 | 925188 | 025188 | SC304 |
| 9 | 30 | 1.50 | 0,0591 | 1.80 | 0,0709 | 15 | 60 | 000757 | 022678 | 922675 | 022675 | 15J30U60-A1 |
| 10 | 30 | 1.50 | 0,0591 | 2.00 | 0,0787 | 2 | 75 | 019165 | 022680 | 922677 | 022677 | 15K30S75-A1 |
| 11 | 30 | 1.50 | 0,0591 | 2.00 | 0,0787 | 15 | 60 | 012367 | 025368 | 927114 | 027114 | SC305 |
| 12 | 30 | 1.60 | 0,0630 | 1.20 | 0,0472 | 15 | 45 | 019166 | 022688 | 922679 | 022679 | SC306 |
| 13 | 30 | 1.60 | 0,0630 | 1.60 | 0,0630 | 15 | 65 | 001108 | 022690 | 921289 | 021289 | 31021-A1 |
| 14 | 30 | 1.60 | 0,0630 | 1.80 | 0,0709 | 15 | 45 | 024903 | 025369 | 927044 | 027044 | SC307 |
| 15 | 30 | 1.60 | 0,0630 | 1.80 | 0,0709 | 15 | 52 | 000797 | 022692 | 922687 | 022687 | SC308 |
| 16 | 30 | 1.60 | 0,0630 | 2.00 | 0,0787 | 15 | 45 | 000800 | 022694 | 922689 | 022689 | SC309 |
| 17 | 30 | 1.60 | 0,0630 | 2.00 | 0,0787 | 15 | 60 | 019167 | 022696 | 922691 | 022691 | SC310 |
| 18 | 30 | 1.60 | 0,0630 | 2.20 | 0,0866 | 15 | 60 | 000279 | 025371 | 925370 | 025370 | SC311 |
| 19 | 30 | 1.80 | 0,0709 | 1.20 | 0,0472 | 15 | 45 | 023396 | | | | 18F30U45-A1 |
| 20 | 30 | 1.80 | 0,0709 | 1.30 | 0,0512 | 20 | 52 | 011265 | 022698 | 922693 | 022693 | |
| 21 | 30 | 1.80 | 0,0709 | 2.00 | 0,0787 | 15 | 45 | 019168 | 022700 | 922695 | 022695 | SC312 |
| 22 | 30 | 1.90 | 0,0748 | 1.00 | 0,0394 | 15 | 45 | 000824 | 022702 | 922697 | 022697 | SC313 |
| 23 | 30 | 1.90 | 0,0748 | 1.40 | 0,0551 | 15 | 60 | 001132 | 022704 | 922699 | 022699 | 319-A1 |
| 24 | 30 | 1.90 | 0,0748 | 1.80 | 0,0709 | 15 | 60 | 000843 | 022706 | 922701 | 022701 | 19J30U60-A1 |
| 25 | 30 | 1.90 | 0,0748 | 2.00 | 0,0787 | 15 | 60 | 006256 | 022708 | 922703 | 022703 | SC314 |
| 26 | 30 | 2.00 | 0,0787 | 1.20 | 0,0472 | 15 | 45 | 012833 | 022710 | 922705 | 022705 | SC315 |
| 27 | 30 | 2.00 | 0,0787 | 1.40 | 0,0551 | 0 | 60 | 000899 | 022712 | 922707 | 022707 | 20G30R60-A1 |
| 28 | 30 | 2.00 | 0,0787 | 1.40 | 0,0551 | 15 | 60 | 001165 | 022714 | 921287 | 021287 | 320-A1 |
| 29 | 30 | 2.00 | 0,0787 | 2.00 | 0,0787 | 15 | 45 | 019169 | 022716 | 922353 | 022353 | SC316 |
| 30 | 30 | 2.20 | 0,0866 | 1.40 | 0,0551 | 15 | 60 | 018092 | 022718 | 922709 | 022709 | 322-A1 |
| 31 | 30 | 2.20 | 0,0866 | 2.00 | 0,0787 | 15 | 60 | 019170 | 022720 | 922711 | 022711 | SC317 |
| 32 | 30 | 2.30 | 0,0906 | 1.80 | 0,0709 | 15 | 60 | 000988 | 022722 | 922713 | 022713 | 23J30U60-A1 |
| 33 | 30 | 2.40 | 0,0945 | 2.60 | 0,1024 | 18 | 56 | 019171 | 022724 | 922715 | 022715 | 24N30C56-A1 |
| 34 | 30 | 2.50 | 0,0984 | 1.40 | 0,0551 | 15 | 60 | 001168 | 022730 | 921288 | 021288 | 325-A1 |
| 35 | 30 | 3.00 | 0,1181 | 1.40 | 0,0551 | 15 | 60 | 001179 | 022732 | 921737 | 021737 | 330-A1 |
| 36 | 30 | 3.28 | 0,1291 | 2.79 | 0,1098 | 15 | 45 | 023048 | | | | |
| 37 | 30 | 3.80 | 0,1496 | 3.00 | 0,1181 | 20 | 45 | 024925 | 025372 | 924962 | 024962 | SC318 |
| 38 | 30 | 4.00 | 0,1575 | 1.40 | 0,0551 | 15 | 60 | 001186 | 022734 | 922721 | 022721 | 340-B2 |

Standard cutting bits - the most popular profiles (see price lists) are registered in red.

Cutting bits **three angles - 45°**

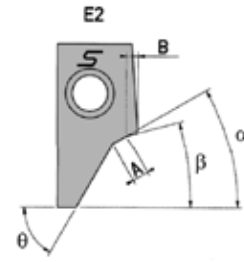
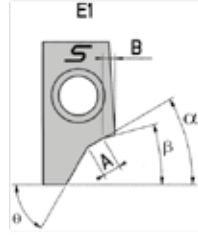
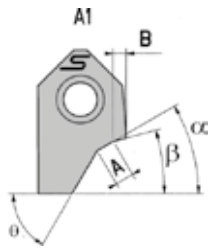


| | α Degree | A | | B | | β Degree | θ Degree | A1 | E1 | E2 -0° | E2 -8° | Original SERDI part |
|----|--------------------|------|--------|------|--------|-------------------|--------------------|--------|--------|--------|--------|------------------------|
| | | mm | inch | mm | inch | | | | | | | |
| 1 | 45 | 0.50 | 0,0197 | 2.00 | 0,0787 | 30 | 75 | 010620 | 022725 | 922723 | 022723 | 05K45X75-A1 |
| 2 | 45 | 0.85 | 0,0335 | 1.73 | 0,0681 | 30 | 67 | 001247 | 022729 | 922727 | 022727 | 40871-A1 |
| 3 | 45 | 1.00 | 0,0394 | 1.00 | 0,0394 | 35 | 65 | 000607 | 022731 | 922733 | 022733 | 10E45F65-A1 |
| 4 | 45 | 1.00 | 0,0394 | 1.40 | 0,0551 | 25 | 60 | 001365 | 022806 | 921269 | 021269 | 410-A1 |
| 5 | 45 | 1.00 | 0,0394 | 1.20 | 0,0472 | 30 | 60 | 000612 | 022736 | 922735 | 022735 | SC001 |
| 6 | 45 | 1.00 | 0,0394 | 1.60 | 0,0630 | 35 | 52 | 025006 | 025341 | 925340 | 025340 | SC035 |
| 7 | 45 | 1.00 | 0,0394 | 1.60 | 0,0630 | 35 | 60 | 000621 | 025343 | 925342 | 025342 | SC036 |
| 8 | 45 | 1.00 | 0,0394 | 1.80 | 0,0709 | 30 | 60 | 000634 | 022726 | 922831 | 022831 | 10J45X60-A1 |
| 9 | 45 | 1.00 | 0,0394 | 2.00 | 0,0787 | 30 | 60 | 006351 | 022728 | 922833 | 022833 | SC002 |
| 10 | 45 | 1.00 | 0,0394 | 2.40 | 0,0945 | 30 | 60 | 019173 | 022832 | 922835 | 022835 | 10M45X60-A1 |
| 11 | 45 | 1.10 | 0,0433 | 1.80 | 0,0709 | 30 | 60 | 000651 | 022834 | 922837 | 022837 | 11J45X60-A1 |
| 12 | 45 | 1.20 | 0,0472 | 1.40 | 0,0551 | 25 | 60 | 001480 | 022836 | 921733 | 021733 | 412-A1 |
| 13 | 45 | 1.30 | 0,0512 | 1.20 | 0,0472 | 30 | 60 | 012735 | 022838 | 922839 | 022839 | SC003 |
| 14 | 45 | 1.30 | 0,0512 | 1.60 | 0,0630 | 30 | 60 | 021856 | 022840 | 922841 | 022841 | SC004 |
| 15 | 45 | 1.30 | 0,0512 | 2.00 | 0,0787 | 30 | 60 | 000693 | 022842 | 922843 | 022843 | SC006 |
| 16 | 45 | 1.30 | 0,0512 | 2.00 | 0,0787 | 37 | 52 | 000691 | 022844 | 922845 | 022845 | SC005 |
| 17 | 45 | 1.40 | 0,0551 | 1.50 | 0,0591 | 30 | 60 | 016408 | | | | |
| 18 | 45 | 1.50 | 0,0591 | 1.00 | 0,0394 | 15 | 60 | 000726 | 022846 | 922847 | 022847 | 15E45U60-A1 |
| 19 | 45 | 1.50 | 0,0591 | 1,36 | 0,0535 | 37 | 53 | 001359 | | | | 15J45G53-A1 |
| 20 | 45 | 1.50 | 0,0591 | 1.40 | 0,0551 | 25 | 60 | 000552 | 022848 | 921282 | 021282 | 415-A1 |
| 21 | 45 | 1.50 | 0,0591 | 1.40 | 0,0551 | 30 | 52 | 019174 | 022850 | 922849 | 022849 | 15G45X52-A1 |
| 22 | 45 | 1.50 | 0,0591 | 1.40 | 0,0551 | 30 | 60 | 008605 | 022852 | 922851 | 022851 | SC037 |
| 23 | 45 | 1.50 | 0,0591 | 1.80 | 0,0709 | 15 | 60 | 000768 | 022858 | 922857 | 022857 | SC008 |
| 24 | 45 | 1.50 | 0,0591 | 1.80 | 0,0709 | 25 | 60 | 000770 | 022854 | 922853 | 022853 | 15J45V60-A1 |
| 25 | 45 | 1.50 | 0,0591 | 1.80 | 0,0709 | 30 | 52 | 012736 | 022860 | 922859 | 022859 | SC009 |
| 26 | 45 | 1.50 | 0,0591 | 1.80 | 0,0709 | 30 | 60 | 000772 | 022856 | 922855 | 022855 | 15J45X60-A1 |
| 27 | 45 | 1.50 | 0,0591 | 1.80 | 0,0709 | 37 | 52 | 000764 | 022862 | 922861 | 022861 | SC007 |
| 28 | 45 | 1.50 | 0,0591 | 2.00 | 0,0787 | 30 | 60 | 000778 | 022864 | 922863 | 022863 | SC010 |
| 29 | 45 | 1.50 | 0,0591 | 3.00 | 0,1181 | 30 | 60 | 009476 | 025361 | 927018 | 027018 | SC011 |
| 30 | 45 | 1.60 | 0,0630 | 1.00 | 0,0394 | 30 | 60 | 000789 | 022866 | 922865 | 022865 | 16E45X60-A1 |
| 31 | 45 | 1.60 | 0,0630 | 1.20 | 0,0472 | 30 | 52 | 000791 | 025344 | 927011 | 027011 | SC012 |
| 32 | 45 | 1.60 | 0,0630 | 1.20 | 0,0472 | 30 | 60 | 000792 | 022868 | 922867 | 022867 | SC013 |
| 33 | 45 | 1.60 | 0,0630 | 1.40 | 0,0551 | 30 | 60 | 019175 | 022872 | 922871 | 022871 | SC014 |
| 34 | 45 | 1.60 | 0,0630 | 1.60 | 0,0630 | 15 | 60 | 019176 | 022874 | 922873 | 022873 | SC015 |
| 35 | 45 | 1.60 | 0,0630 | 1.60 | 0,0630 | 30 | 52 | 025215 | 025345 | 927127 | 027127 | SC016 |
| 36 | 45 | 1.60 | 0,0630 | 1.60 | 0,0630 | 30 | 60 | 000796 | 022870 | 922869 | 022869 | SC017 |
| 37 | 45 | 1.60 | 0,0630 | 1.80 | 0,0709 | 30 | 52 | 000798 | 022878 | 922877 | 022877 | SC018 |
| 38 | 45 | 1.60 | 0,0630 | 2.00 | 0,0787 | 15 | 60 | 000801 | 022876 | 922875 | 022875 | SC019 |
| 39 | 45 | 1.60 | 0,0630 | 2.00 | 0,0787 | 30 | 52 | 012831 | 022881 | 922882 | 022882 | SC020 |

Standard cutting bits - the most popular profiles (see price lists) are registered in red.



customerservice@serdi-usa.com
1-800-447-3790 (toll free)

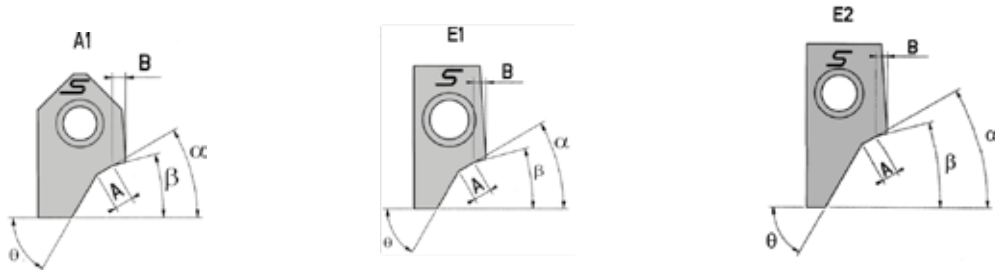


| | α Degree | A | | B | | β Degree | θ Degree | A1 | E1 | E2 -0° | E2 -8° | Original SERDI part |
|----|--------------------|------|--------|------|--------|-------------------|--------------------|--------|--------|--------|--------|------------------------|
| | | mm | inch | mm | inch | | | | | | | |
| 1 | 45 | 1.60 | 0,0630 | 2.00 | 0,0787 | 30 | 60 | 000802 | 022880 | 922879 | 022879 | SC021 |
| 2 | 45 | 1.60 | 0,0630 | 2.00 | 0,0787 | 35 | 55 | 023445 | 025347 | 925346 | 025346 | SC038 |
| 3 | 45 | 1.60 | 0,0630 | 3.00 | 0,1181 | 30 | 60 | 024914 | 025349 | 925348 | 025348 | SC022 |
| 4 | 45 | 1.70 | 0,0669 | 1.40 | 0,0551 | 23 | 67 | 012751 | 022886 | 922885 | 022885 | |
| 5 | 45 | 1.70 | 0,0669 | 1.40 | 0,0551 | 25 | 67 | 025629 | | | | 17G45V67-A1 |
| 6 | 45 | 1.70 | 0,0669 | 1.60 | 0,0630 | 15 | 65 | 001452 | 022884 | 922883 | 022883 | 41212-A1 |
| 7 | 45 | 1.80 | 0,0709 | 1.00 | 0,0394 | 15 | 60 | 005336 | 022888 | 922887 | 022887 | 18E45U60-A1 |
| 8 | 45 | 1.80 | 0,0709 | 3.00 | 0,1181 | 30 | 60 | 025069 | 025351 | 925350 | 025350 | SC023 |
| 9 | 45 | 1.90 | 0,0748 | 1.20 | 0,0472 | 30 | 52 | 024900 | 025352 | 927094 | 027094 | SC024 |
| 10 | 45 | 1.90 | 0,0748 | 1.20 | 0,0472 | 30 | 60 | 000833 | 022892 | 922891 | 022891 | SC025 |
| 11 | 45 | 1.90 | 0,0748 | 1.40 | 0,0551 | 25 | 60 | 001508 | 022890 | 922889 | 022889 | 419-A1 |
| 12 | 45 | 1.90 | 0,0748 | 1.40 | 0,0551 | 30 | 60 | 000837 | 022894 | 922893 | 022893 | 19G45X60-A1 |
| 13 | 45 | 1.90 | 0,0748 | 1.60 | 0,0630 | 30 | 60 | 000841 | 022898 | 922897 | 022897 | SC026 |
| 14 | 45 | 1.90 | 0,0748 | 1.80 | 0,0709 | 30 | 52 | 000851 | 022912 | 922899 | 022899 | SC027 |
| 15 | 45 | 1.90 | 0,0748 | 1.80 | 0,0709 | 30 | 60 | 000852 | 022896 | 922895 | 022895 | 19J45X60-A1 |
| 16 | 45 | 1.90 | 0,0748 | 2.00 | 0,0787 | 30 | 52 | 019177 | 022916 | 922915 | 022915 | SC028 |
| 17 | 45 | 1.90 | 0,0748 | 2.00 | 0,0787 | 35 | 55 | 023457 | 025354 | 925353 | 025353 | SC039 |
| 18 | 45 | 1.90 | 0,0748 | 2.00 | 0,0787 | 30 | 60 | 000854 | 022914 | 922913 | 022913 | SC029 |
| 19 | 45 | 2.00 | 0,0787 | 0.70 | 0,0276 | 20 | 52 | 011266 | 022918 | 922917 | 022917 | |
| 20 | 45 | 2.00 | 0,0787 | 1.00 | 0,0394 | 15 | 75 | 001526 | 022920 | 922919 | 022919 | 42020-A1 |
| 21 | 45 | 2.00 | 0,0787 | 1.20 | 0,0472 | 0 | 70 | 001539 | 022922 | 922921 | 022921 | 42030-A1 |
| 22 | 45 | 2.00 | 0,0787 | 1.20 | 0,0472 | 30 | 60 | 019178 | 022924 | 922923 | 022923 | 20F45X60-A1 |
| 23 | 45 | 2.00 | 0,0787 | 1.40 | 0,0551 | 25 | 60 | 001588 | 022926 | 918769 | 018769 | 420-A1 |
| 24 | 45 | 2.00 | 0,0787 | 1.40 | 0,0551 | 30 | 60 | 000912 | 022928 | 922925 | 022925 | 20G45X60-A1 |
| 25 | 45 | 2.00 | 0,0787 | 1.50 | 0,0591 | 30 | 60 | 001509 | 022930 | 922927 | 022927 | 42001-A1 |
| 26 | 45 | 2.00 | 0,0787 | 1.60 | 0,0630 | 15 | 62 | 001535 | 022932 | 922929 | 022929 | 42026-A1 |
| 27 | 45 | 2.00 | 0,0787 | 1.60 | 0,0630 | 30 | 70 | 023384 | 025356 | 925355 | 025355 | SC030 |
| 28 | 45 | 2.00 | 0,0787 | 1.60 | 0,0630 | 30 | 75 | 023385 | 023669 | 925357 | 025357 | SC031 |
| 29 | 45 | 2.00 | 0,0787 | 1.80 | 0,0709 | 30 | 60 | 000927 | 022934 | 922931 | 022931 | 20J45X60-A1 |
| 30 | 45 | 2.00 | 0,0787 | 2.00 | 0,0787 | 15 | 75 | 000930 | | | | 20K45U55-A1 |
| 31 | 45 | 2.00 | 0,0787 | 2.00 | 0,0787 | 30 | 60 | 000931 | 022936 | 922933 | 022933 | 20K45X60-A1 |
| 32 | 45 | 2.10 | 0,0827 | 1.00 | 0,0394 | 33 | 52 | 024992 | | | | |
| 33 | 45 | 2.20 | 0,0866 | 1.40 | 0,0551 | 30 | 60 | 000962 | 025359 | 925358 | 025358 | SC032 |
| 34 | 45 | 2.30 | 0,0906 | 1.40 | 0,0551 | 25 | 60 | 001608 | 022938 | 922935 | 022935 | 423-A1 |
| 35 | 45 | 2.30 | 0,0906 | 2.00 | 0,0787 | 30 | 60 | 000997 | 025360 | 927100 | 027100 | SC033 |
| 36 | 45 | 2.50 | 0,0984 | 1.40 | 0,0551 | 25 | 60 | 001609 | 022940 | 921283 | 021283 | 425-A1 |
| 37 | 45 | 2.50 | 0,0984 | 2.00 | 0,0787 | 30 | 60 | 012832 | 022942 | 922937 | 022937 | SC034 |
| 38 | 45 | 3.00 | 0,1181 | 1.40 | 0,0551 | 25 | 60 | 001625 | 022944 | 921738 | 021738 | 430-A1 |
| 39 | 45 | 3.00 | 0,1181 | 3.00 | 0,1181 | 15 | 60 | 000566 | 022946 | 922939 | 022939 | 30Q45U60-A1 |

Standard cutting bits - the most popular profiles (see price lists) are registered in red.



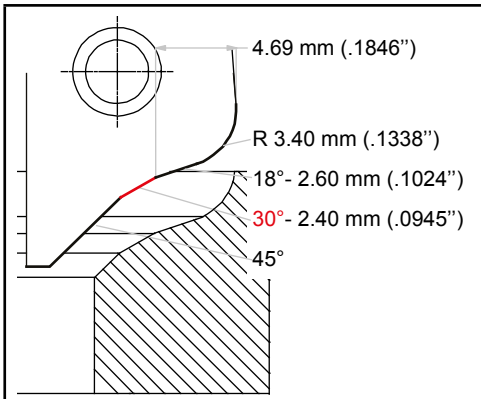
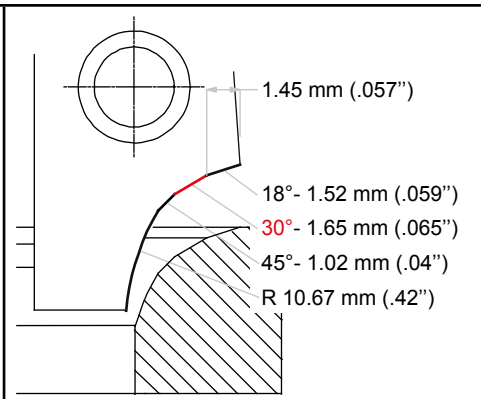
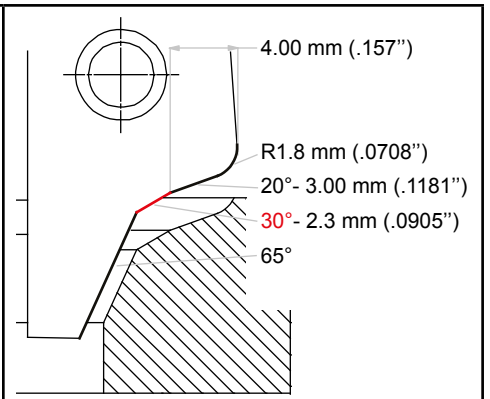
Cutting bits **miscellaneous angles**



| | α Degree | A | | B | | β Degree | θ Degree | A1 | E1 | E2 -0° | E2 -8° | Original SERDI part |
|----|--------------------|------|--------|------|--------|-------------------|--------------------|---------------|---------------|---------------|---------------|------------------------|
| | | mm | inch | mm | inch | | | | | | | |
| 1 | 20,00 | 2.00 | 0.0787 | 1.80 | 0.0709 | 0 | 60 | 000597 | | | | |
| 2 | 20,00 | 4.00 | 0,1575 | 1.60 | 0,0630 | 5 | 65 | 011526 | | 922941 | 022941 | 40H20A65-A1 |
| 3 | 20,25 | 2.70 | 0,1063 | 2.80 | 0,1102 | 15 | 60 | 019180 | | | | 27P20.25U60-A1 |
| 4 | 30,25 | 1.90 | 0,0748 | 1.60 | 0,0630 | 18 | 42 | 019181 | 022948 | 922945 | 022945 | 19H30.25C42-A1 |
| 5 | 31,00 | 1.50 | 0,0591 | 1.40 | 0,0551 | 11 | 60 | 023429 | | | | 15G31B60-A1 |
| 6 | 31,00 | 2.90 | 0,1142 | 2.00 | 0,0787 | 15 | 60 | 019182 | 022950 | 922947 | 022947 | 29K31U60-A1 |
| 7 | 37,50 | 1.60 | 0,0630 | 1.40 | 0,0551 | 30 | 60 | 019509 | 025362 | 925189 | 025189 | SC400 |
| 8 | 37,50 | 1.60 | 0,0630 | 2.00 | 0,0787 | 30 | 60 | 025216 | 025363 | 925103 | 025103 | SC401 |
| 9 | 37,50 | 1.90 | 0,0748 | 1.40 | 0,0551 | 30 | 60 | 019183 | 022952 | 922949 | 022949 | SC402 |
| 10 | 37,50 | 2.00 | 0,0787 | 2.00 | 0,0787 | 30 | 60 | 024913 | 022954 | 922951 | 022951 | SC403 |
| 11 | 37,50 | 2.10 | 0,0827 | 1.40 | 0,0551 | 18 | 52 | 019186 | 022956 | 922953 | 022953 | SC404 |
| 12 | 37,50 | 2.20 | 0,0866 | 1.20 | 0,0472 | 30 | 60 | 019187 | 022958 | 922955 | 022955 | 22F37.5X60-A1 |
| 13 | 45,25 | 1.50 | 0,0591 | 1.80 | 0,0709 | 15 | 60 | 012737 | 022960 | 922957 | 022957 | 15J45.25U60-A1 |
| 14 | 45,25 | 1.50 | 0,0591 | 1.80 | 0,0709 | 30 | 60 | 019188 | 022968 | 922959 | 022959 | 15J45.25X60-A1 |
| 15 | 45,25 | 1.50 | 0,0591 | 1.80 | 0,0709 | 33 | 52 | 019189 | 022970 | 922961 | 022961 | |
| 16 | 45,25 | 1.50 | 0,0591 | 2.00 | 0,0787 | 25 | 52 | 019190 | 022972 | 922967 | 022967 | 15K45.25V52-A1 |
| 17 | 45,25 | 1.50 | 0,0591 | 2.20 | 0,0866 | 8 | 60 | 011645 | 022974 | 922969 | 022969 | 15L45.25T60-A1 |
| 18 | 45,25 | 1.60 | 0,0630 | 2.00 | 0,0787 | 15 | 60 | 019191 | 022976 | 922971 | 022971 | 16K45.25U60-A1 |
| 19 | 45,25 | 1.60 | 0,0630 | 2.00 | 0,0787 | 25 | 52 | 024904 | | | | 16K45.25V52-A1 |
| 20 | 45,25 | 1.90 | 0,0748 | 1.00 | 0,0394 | 33 | 52 | 019192 | 022978 | 922973 | 022973 | |
| 21 | 45,25 | 1.90 | 0,0748 | 1.80 | 0,0709 | 30 | 60 | 019193 | 022980 | 922975 | 022975 | 19J45.25X60-A1 |
| 22 | 45,25 | 1.90 | 0,0748 | 1.80 | 0,0709 | 33 | 52 | 019194 | 022982 | 922977 | 022977 | |
| 23 | 45,25 | 2.00 | 0,0787 | 1.00 | 0,0394 | 30 | 70 | 019195 | 022984 | 922979 | 022979 | 20E45.25X70-A1 |
| 24 | 45,25 | 2.00 | 0,0787 | 1.00 | 0,0394 | 30 | 75 | 019196 | 022986 | 922981 | 022981 | 20E45.25X75-A1 |
| 25 | 45,25 | 2.30 | 0,0906 | 1.80 | 0,0709 | 15 | 60 | 011646 | 022988 | 922983 | 022983 | 23J45.25U60-A1 |
| 26 | 45,25 | 2.30 | 0,0906 | 1.80 | 0,0709 | 25 | 52 | 019197 | 022990 | 922985 | 022985 | 23J45.25V52-A1 |
| 27 | 45,25 | 2.30 | 0,0906 | 1.80 | 0,0709 | 25 | 60 | 019198 | 022991 | 922987 | 022987 | 23J45.25V60-A1 |
| 28 | 45,25 | 2.30 | 0,0906 | 1.80 | 0,0709 | 33 | 52 | 019199 | 022992 | 922989 | 022989 | |
| 29 | 45,25 | 2.60 | 0,1024 | 1.80 | 0,0709 | 25 | 52 | 024905 | | | | 26J45.25V52-A1 |

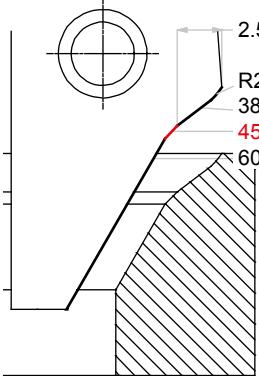
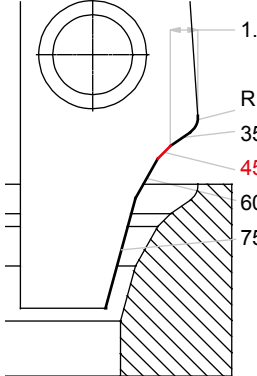
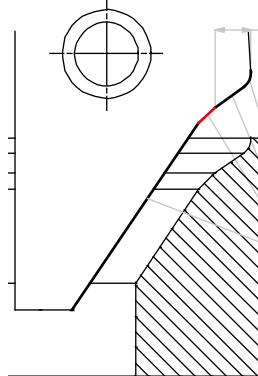
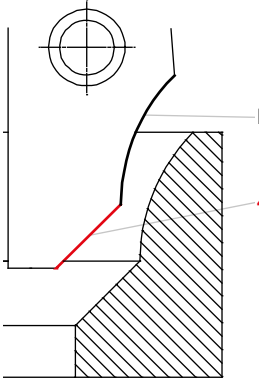
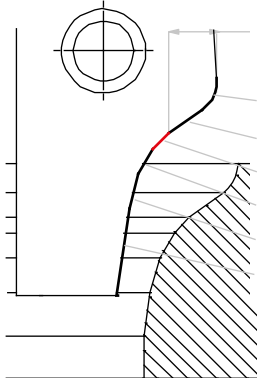
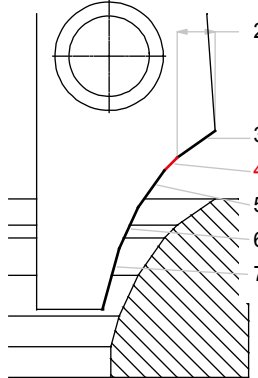
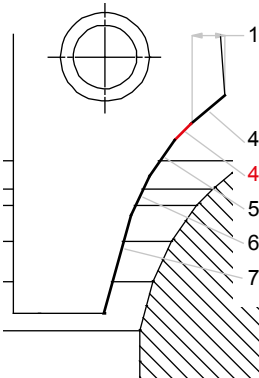
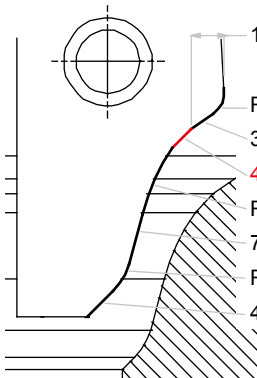
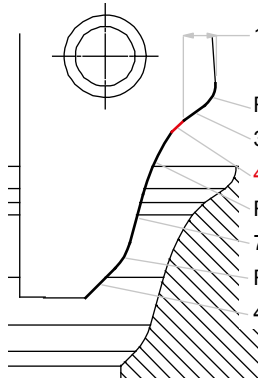
Standard cutting bits - the most popular profiles (see price lists) are registered in **red**.



| | | |
|--|---|--|
|  <p>4.69 mm (.1846") R 3.40 mm (.1338") 18° - 2.60 mm (.1024") 30° - 2.40 mm (.0945") 45°</p> <p>- - 922717 EMDSC45-E2 022717 EMDSC45-E2 019172 EMDSC45-A1</p> |  <p>1.45 mm (.057") 18° - 1.52 mm (.059") 30° - 1.65 mm (.065") 45° - 1.02 mm (.04") R 10.67 mm (.42")</p> <p>- - - - - - 028101 SC652-A1</p> |  <p>4.00 mm (.157") R1.8 mm (.0708") 20° - 3.00 mm (.1181") 30° - 2.3 mm (.0905") 65°</p> <p>- - - - - - 025077 HP2706-B1</p> |
| | | |
| | | |

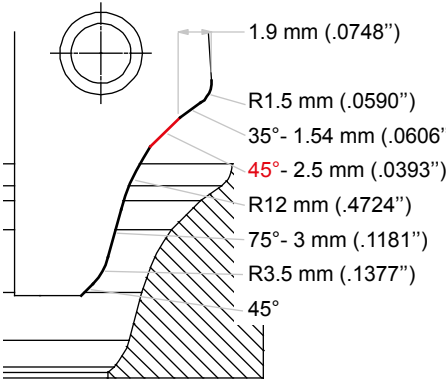
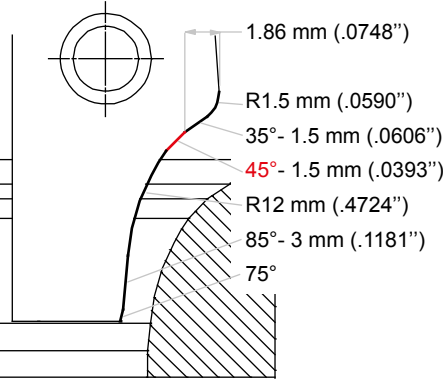
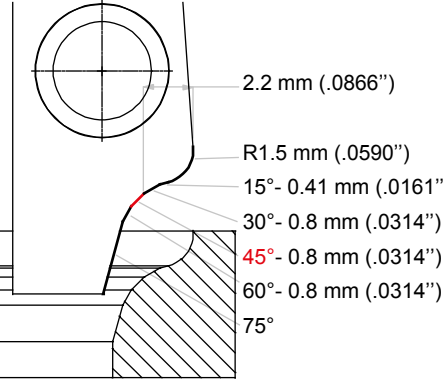
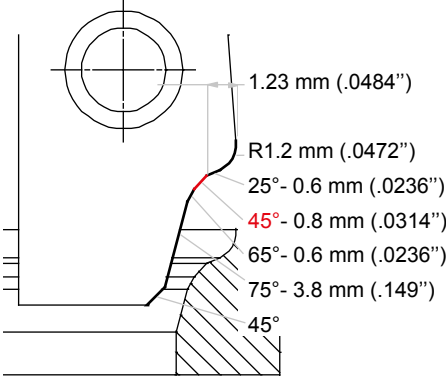
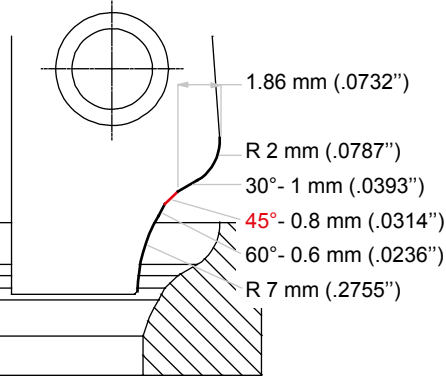
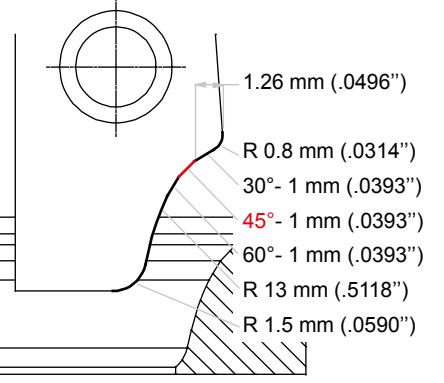
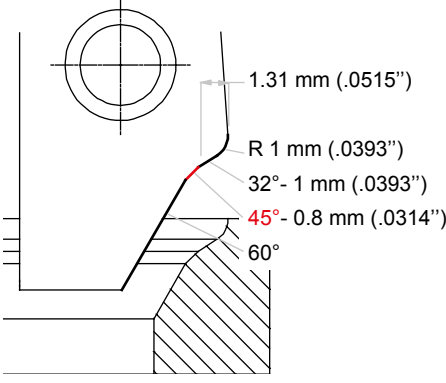
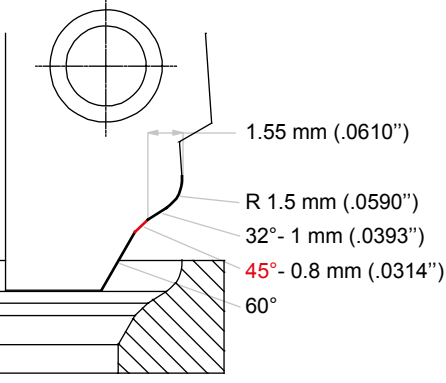
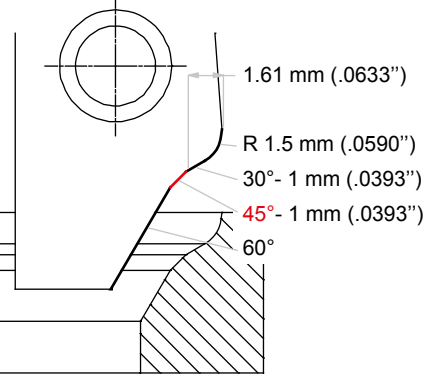
Cutting bits performance 45°



| | | |
|--|---|---|
|  <p>2.52 mm (.0992") R2.5 mm (.0984") 38°- 2.4 mm (.0944") 45°- 1 mm (.0393") 60°</p> |  <p>1.49 mm (.0586") R1 mm (.0393") 35°- 1.3 mm (.0511") 45°- 1 mm (.0393") 60°- 2.5 mm (.0984") 75°</p> |  <p>2.06 mm (.0811") R1 mm (.0393") 35°- 2 mm (.0787") 45°- 1.3 mm (.0511") 56°</p> |
| <p>025448 ADS600-E1 924189 ADN600-E2 024189 ADP600-E2 013338 SC600-B1</p> | <p>025459 ADS601-E1 924190 ADN601-E2 024190 ADP601-E2 013342 SC601-B1</p> | <p>025460 ADS602-E1 924191 ADN602-E2 024191 ADP602-E2 013337 SC602-B1</p> |
|  <p>R12 mm (.4724") 45°- 6 mm (.2362")</p> |  <p>2.9 mm (.1141") R2 mm (.0787") 35°- 2.5 mm (.0984") 45°- 1.3 mm (.0511") 60°- 1.7 mm (.0669") 75°- 2.2 mm (.0866") 82°</p> |  <p>2.1 mm (.0826") 35°- 2.56 mm (.1007") 45°- 1 mm (.0393") 55°- 2.5 mm (.0984") 65°- 2.5 mm (.0984") 75°</p> |
| <p>- - 927058 ADN603-E2 027058 ADP603-E3 013343 SC603-B1</p> | <p>- - 925463 ADN604-E2 025463 ADP604-E2 013924 SC604-B1</p> | <p>- - 925487 ADN605-E2 025487 ADP605-E2 013332 SC605-B2</p> |
|  <p>1.92 mm (.0755") 40°- 2.5 mm (.0984") 45°- 1.3 mm (.0511") 55°- 2.5 mm (.0984") 65°- 2.5 mm (.0984") 75°</p> |  <p>1.86 mm (.0732") R1.5 mm (.0590") 35°- 1.5 mm (.0590") 45°- 1.5 mm (.0590") R12 mm (.4724") 75°- 3 mm (.1181") R3.5 mm (.1377") 45°</p> |  <p>1.9 mm (.0748") R1.5 mm (.0590") 35°- 1.54 mm (.0606") 45°- 1 mm (.0393") R12 mm (.4724") 75°- 3 mm (.1181") R3.5 mm (.1377") 45°</p> |
| <p>- - 927021 ADN606-E2 027021 ADP606-E2 001318 SC606-B1</p> | <p>026069 ADS607-E1 921301 ADN607-E2 021301 ADP607-E2 013327 SC607-B1</p> | <p>026070 ADS608-E1 921302 ADN608-E2 021302 ADP608-E2 019205 SC608-B1</p> |

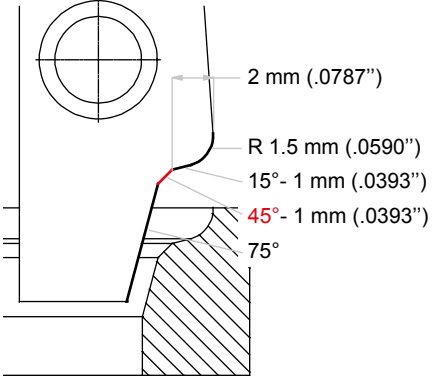
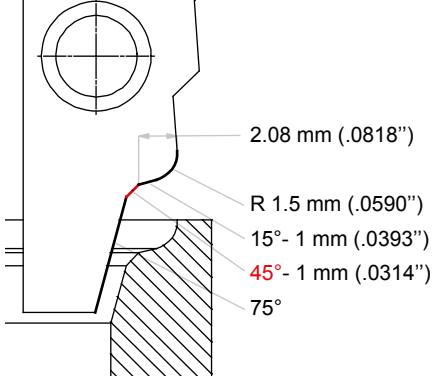
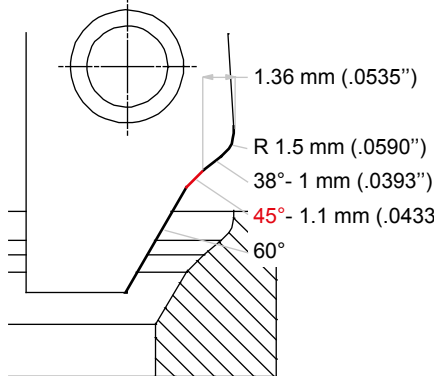
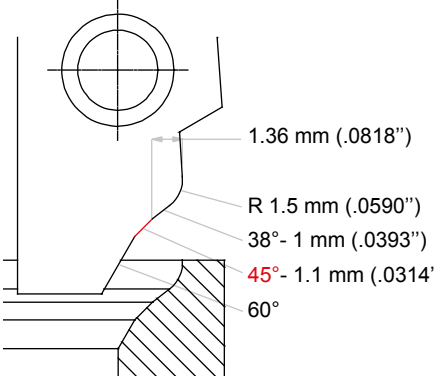
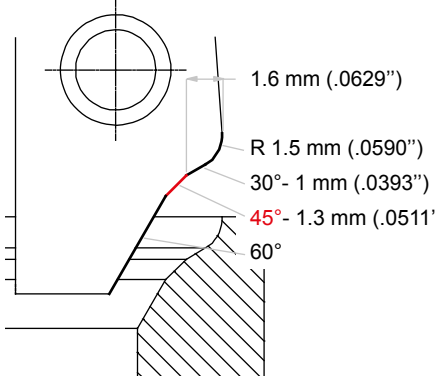
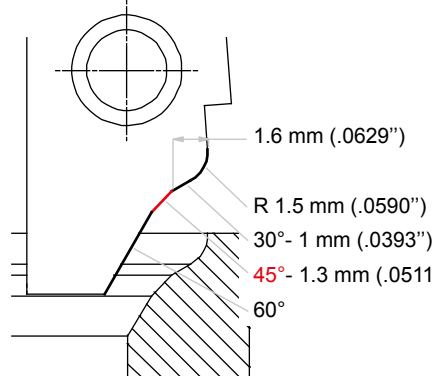
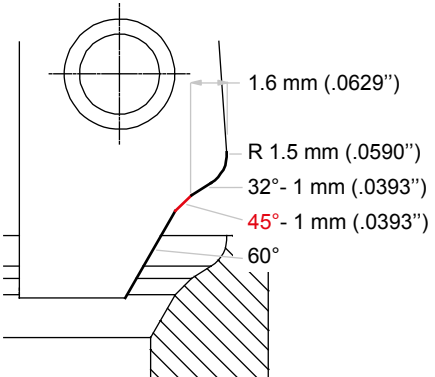
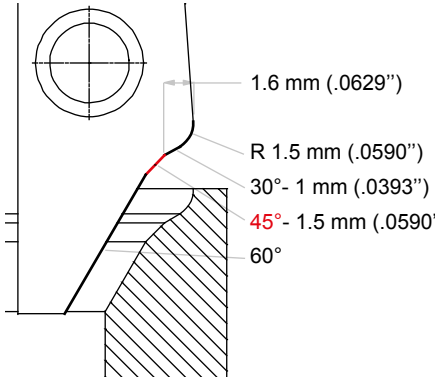
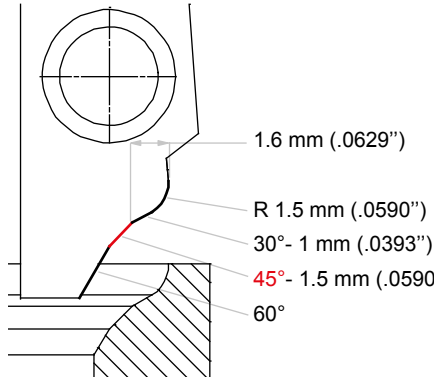
Standard cutting bits - the most popular profiles (see price lists) are registered in red.



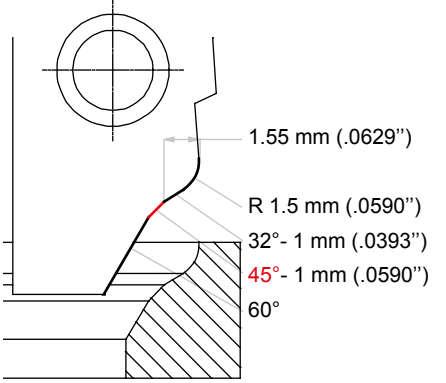
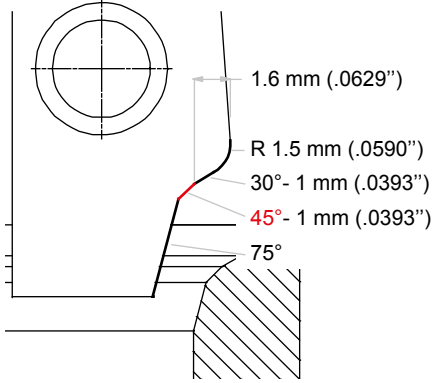
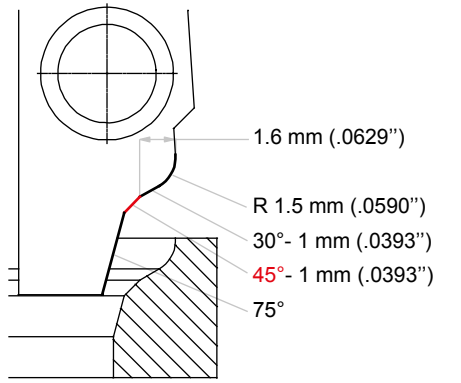
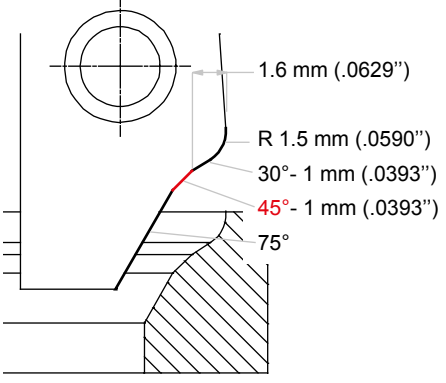
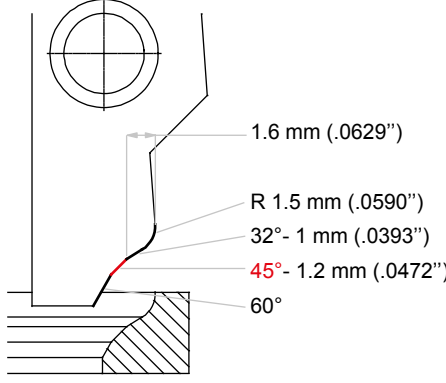
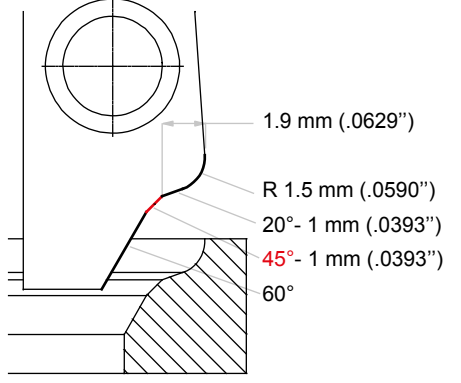
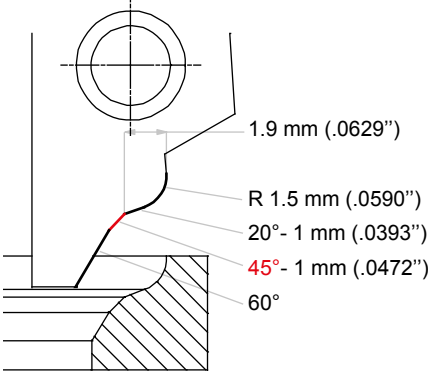
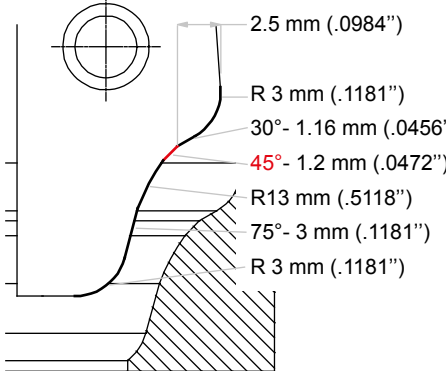
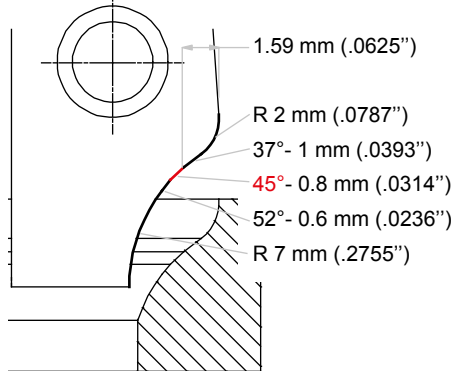
| | | |
|--|--|---|
|  <p>1.9 mm (.0748") R1.5 mm (.0590") 35°- 1.54 mm (.0606") 45°- 2.5 mm (.0393") R12 mm (.4724") 75°- 3 mm (.1181") R3.5 mm (.1377") 45°</p> <p>- 925489 ADN609-E2 025489 ADP609-E2 025219 SC609-B1</p> |  <p>1.86 mm (.0748") R1.5 mm (.0590") 35°- 1.5 mm (.0606") 45°- 1.5 mm (.0393") R12 mm (.4724") 85°- 3 mm (.1181") 75°</p> <p>- 927023 ADN610-E3 027023 ADP610-E3 013923 SC610-B1</p> |  <p>2.2 mm (.0866") R1.5 mm (.0590") 15°- 0.41 mm (.0161") 30°- 0.8 mm (.0314") 45°- 0.8 mm (.0314") 60°- 0.8 mm (.0314") 75°</p> <p>022270 ADS611-E1 925462 ADN611-E2 025462 ADP611-E2 013925 SC611-A1</p> |
|  <p>1.23 mm (.0484") R1.2 mm (.0472") 25°- 0.6 mm (.0236") 45°- 0.8 mm (.0314") 65°- 0.6 mm (.0236") 75°- 3.8 mm (.149") 45°</p> <p>026284 ADS612-E1 925464 ADN612-E2 025464 ADP612-E2 024938 SC612-A1</p> |  <p>1.86 mm (.0732") R 2 mm (.0787") 30°- 1 mm (.0393") 45°- 0.8 mm (.0314") 60°- 0.6 mm (.0236") R 7 mm (.2755")</p> <p>022272 ADS613-E1 925465 ADN613-E2 025465 ADP613-E2 009806 SC613-A1</p> |  <p>1.26 mm (.0496") R 0.8 mm (.0314") 30°- 1 mm (.0393") 45°- 1 mm (.0393") 60°- 1 mm (.0393") R 13 mm (.5118") R 1.5 mm (.0590")</p> <p>025001 ADS623-E1 923369 ADN623-E2 023369 ADP623-E2 012834 SC623-A1</p> |
|  <p>1.31 mm (.0515") R 1 mm (.0393") 32°- 1 mm (.0393") 45°- 0.8 mm (.0314") 60°</p> <p>026282 ADS624-E1 927024 ADN624-E2 027024 ADP624-E2 019523 SC624-A1</p> |  <p>1.55 mm (.0610") R 1.5 mm (.0590") 32°- 1 mm (.0393") 45°- 0.8 mm (.0314") 60°</p> <p>026028 ADS625-E1 927012 ADN625-E2 027012 ADP625-E2 025192 SC625-A2</p> |  <p>1.61 mm (.0633") R 1.5 mm (.0590") 30°- 1 mm (.0393") 45°- 1 mm (.0393") 60°</p> <p>023049 ADS626-E1 924016 ADN626-E2 024016 ADP626-E2 001260 SC626-A1</p> |

Cutting bits performance 45°



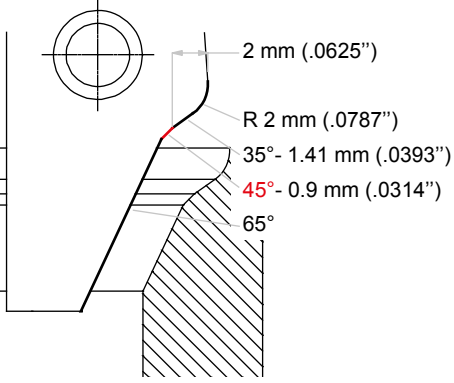
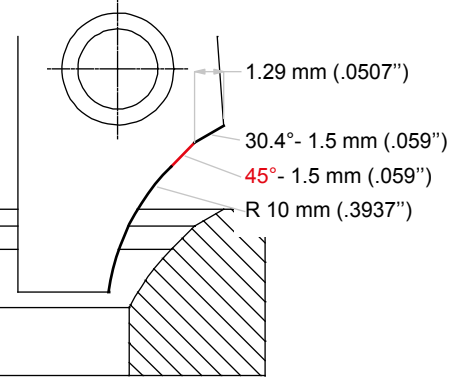
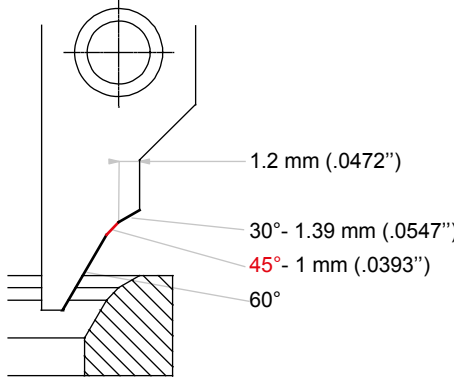
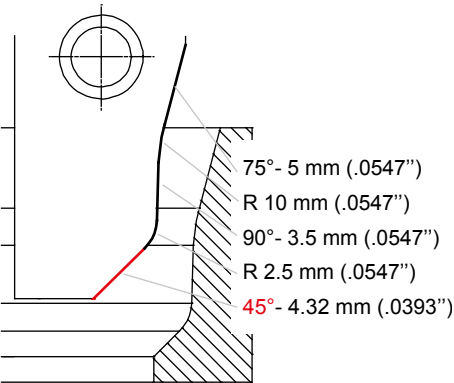
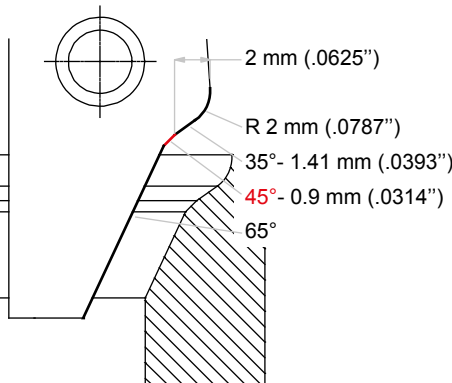
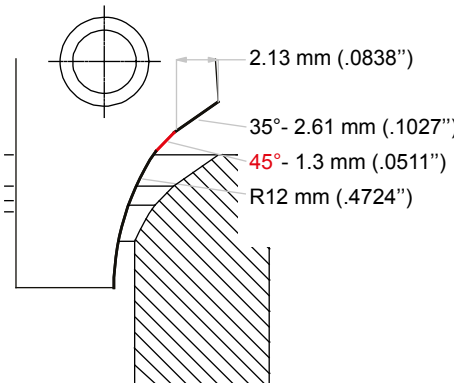
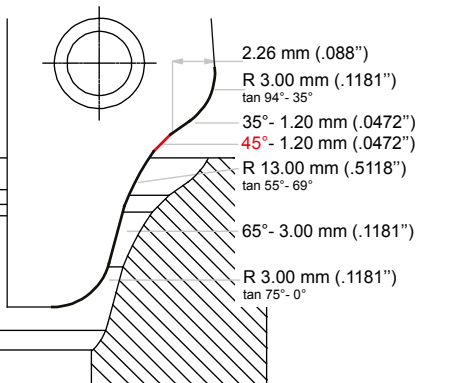
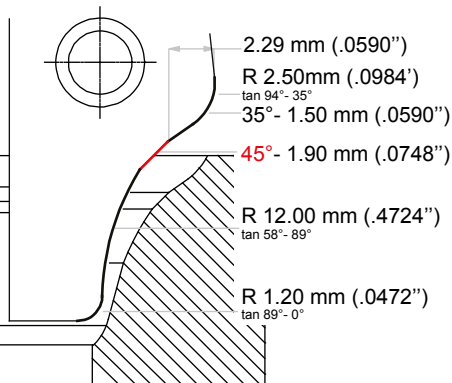
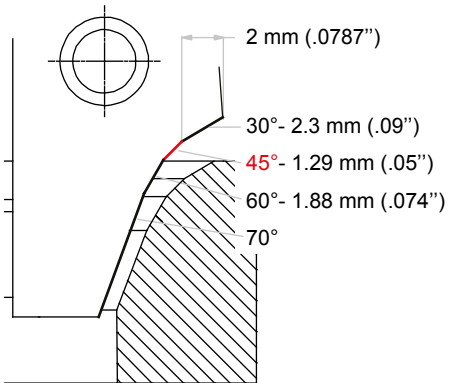
| | | |
|--|---|--|
|  <p>2 mm (.0787") R 1.5 mm (.0590") 15° - 1 mm (.0393") 45° - 1 mm (.0393") 75°</p> |  <p>2.08 mm (.0818") R 1.5 mm (.0590") 15° - 1 mm (.0393") 45° - 1 mm (.0314") 75°</p> |  <p>1.36 mm (.0535") R 1.5 mm (.0590") 38° - 1 mm (.0393") 45° - 1.1 mm (.0433") 60°</p> |
| <p>025468 ADS627-E1 925469 ADN627-E2 025469 ADP627-E2 014887 SC627-A1</p> | <p>026031 ADS628-E1 927031 ADN628-E2 027031 ADP628-E2 025220 SC628-A2</p> | <p>025083 ADS629-E1 927128 ADN629-E2 027128 ADP629-E2 024943 SC629-A1</p> |
|  <p>1.36 mm (.0818") R 1.5 mm (.0590") 38° - 1 mm (.0393") 45° - 1.1 mm (.0314") 60°</p> |  <p>1.6 mm (.0629") R 1.5 mm (.0590") 30° - 1 mm (.0393") 45° - 1.3 mm (.0511") 60°</p> |  <p>1.6 mm (.0629") R 1.5 mm (.0590") 30° - 1 mm (.0393") 45° - 1.3 mm (.0511") 60°</p> |
| <p>026257 ADS630-E1 927118 ADN630-E2 027118 ADP630-E2 024901 SC630-A2</p> | <p>025089 ADS631-E1 925471 ADN631-E2 025471 ADP631-E2 025490 SC631-A1</p> | <p>025420 ADS632-E1 925473 ADN632-E2 025473 ADP632-E2 021857 SC632-A2</p> |
|  <p>1.6 mm (.0629") R 1.5 mm (.0590") 32° - 1 mm (.0393") 45° - 1 mm (.0393") 60°</p> |  <p>1.6 mm (.0629") R 1.5 mm (.0590") 30° - 1 mm (.0393") 45° - 1.5 mm (.0590") 60°</p> |  <p>1.6 mm (.0629") R 1.5 mm (.0590") 30° - 1 mm (.0393") 45° - 1.5 mm (.0590") 60°</p> |
| <p>026258 ADS633-E1 927064 ADN633-E2 027064 ADP633-E2 025474 SC633-A1</p> | <p>025476 ADS634-E1 925477 ADN634-E2 025477 ADP634-E2 009474 SC634-A1</p> | <p>025184 ADS635-E1 925478 ADN635-E2 025478 ADP635-E2 021859 SC635-A2</p> |



| | | |
|---|---|--|
|  <p>1.55 mm (.0629") R 1.5 mm (.0590") 32°- 1 mm (.0393") 45°- 1 mm (.0590") 60°</p> <p>026194 ADS637-E1 927106 ADN637-E2 027106 ADP637-E2 024615 SC637-A2</p> |  <p>1.6 mm (.0629") R 1.5 mm (.0590") 30°- 1 mm (.0393") 45°- 1 mm (.0393") 75°</p> <p>025479 ADS638-E1 925249 ADN638-E2 025249 ADP638-E2 021860 SC638-A1</p> |  <p>1.6 mm (.0629") R 1.5 mm (.0590") 30°- 1 mm (.0393") 45°- 1 mm (.0393") 75°</p> <p>025480 ADS639-E1 927089 ADN639-E2 027089 ADP639-E2 021858 SC639-A2</p> |
|  <p>1.6 mm (.0629") R 1.5 mm (.0590") 30°- 1 mm (.0393") 45°- 1 mm (.0393") 75°</p> <p>025481 ADS640-E1 927025 ADN640-E2 027025 ADP640-E2 025081 SC640-A1</p> |  <p>1.6 mm (.0629") R 1.5 mm (.0590") 32°- 1 mm (.0393") 45°- 1.2 mm (.0472") 60°</p> <p>026032 ADS641-E1 927033 ADN641-E2 027033 ADP641-E2 021861 SC641-A2</p> |  <p>1.9 mm (.0629") R 1.5 mm (.0590") 20°- 1 mm (.0393") 45°- 1 mm (.0393") 60°</p> <p>025483 ADS642-E1 925484 ADN642-E2 025484 ADP642-E2 028015 SC642-A1</p> |
|  <p>1.9 mm (.0629") R 1.5 mm (.0590") 20°- 1 mm (.0393") 45°- 1 mm (.0472") 60°</p> <p>025485 ADS643-E1 927034 ADN643-E2 027034 ADP643-E2 030124 SC643-A2</p> |  <p>2.5 mm (.0984") R 3 mm (.1181") 30°- 1.16 mm (.0456") 45°- 1.2 mm (.0472") R13 mm (.5118") 75°- 3 mm (.1181") R 3 mm (.1181")</p> <p>- - 927115 ADN644-E2 027115 ADP644-E2 022129 SC644-B1</p> |  <p>1.59 mm (.0625") R 2 mm (.0787") 37°- 1 mm (.0393") 45°- 0.8 mm (.0314") 52°- 0.6 mm (.0236") R 7 mm (.2755")</p> <p>025000 ADS645-E1 927130 ADN645-E2 027130 ADP645-E2 022130 SC645-A1</p> |

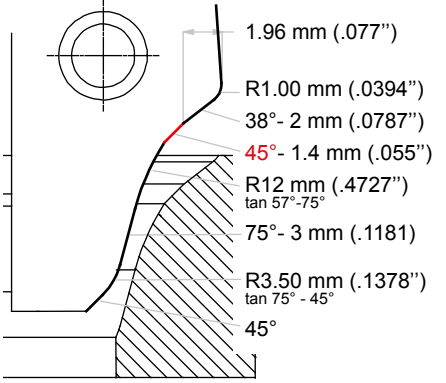
Cutting bits performance 45°



| | | |
|--|---|--|
|  <p>2 mm (.0625") R 2 mm (.0787") 35°- 1.41 mm (.0393") 45°- 0.9 mm (.0314") 65°</p> <p>025493 ADS646-E1 925494 ADN646-E2 025494 ADP646-E2 024986 SC646-B1</p> |  <p>1.29 mm (.0507") 30.4°- 1.5 mm (.059") 45°- 1.5 mm (.059") R 10 mm (.3937")</p> <p>- - 925691 ADN647-E2 025691 ADP647-E2 025222 SC647-A1</p> |  <p>1.2 mm (.0472") 30°- 1.39 mm (.0547") 45°- 1 mm (.0393") 60°</p> <p>027998 ADS648-E1 927999 ADN648-E2 027999 ADP648-E2 013378 SC648-B4</p> |
|  <p>75°- 5 mm (.0547") R 10 mm (.0547") 90°- 3.5 mm (.0547") R 2.5 mm (.0547") 45°- 4.32 mm (.0393")</p> <p>- - 924192 ADN649-E3 024192 ADP649-E3 023437 SC649-B3</p> |  <p>2 mm (.0625") R 2 mm (.0787") 35°- 1.41 mm (.0393") 45°- 0.9 mm (.0314") 65°</p> <p>- - - - - - 035013 SC650-B1</p> |  <p>2.13 mm (.0838") 35°- 2.61 mm (.1027") 45°- 1.3 mm (.0511") R12 mm (.4724")</p> <p>- - 922519 HP1953-E2 022519 HP1953-E2 019160 HP1953-B1</p> |
|  <p>2.26 mm (.088") R 3.00 mm (.1181") tan 94°- 35° 35°- 1.20 mm (.0472") 45°- 1.20 mm (.0472") R 13.00 mm (.5118") tan 55°- 69° 65°- 3.00 mm (.1181") R 3.00 mm (.1181") tan 75°- 0°</p> <p>- - - - - - 024897 HP2944-B1</p> |  <p>2.29 mm (.0590") R 2.50mm (.0984") tan 94°- 35° 35°- 1.50 mm (.0590") 45°- 1.90 mm (.0748") R 12.00 mm (.4724") tan 58°- 89° R 1.20 mm (.0472") tan 89°- 0°</p> <p>- - - - - - 025268 HP3343-B1</p> |  <p>2 mm (.0787") 30°- 2.3 mm (.09") 45°- 1.29 mm (.05") 60°- 1.88 mm (.074") 70°</p> <p>- - - - - - 025269 HP3344-B1</p> |

Standard cutting bits - the most popular profiles (see price lists) are registered in red.



| | | |
|--|--|--|
|  <p>1.96 mm (.077") R1.00 mm (.0394") 38° - 2 mm (.0787") 45° - 1.4 mm (.055") R12 mm (.4727") tan 57° - 75° 75° - 3 mm (.1181) R3.50 mm (.1378") tan 75° - 45° 45°</p> <p>- - - - - -</p> <p>030182 HP2113-B1</p> | | |
| | | |
| | | |

Cutting bits performance 50°-52°-55°



| | | |
|---|---|---|
| <p>1.80 mm (.0708")</p> <p>45°- 2.54 mm (.10")</p> <p>50°- 1.00 mm (.0393")</p> <p>60°- 1.52 mm (.0590")</p> <p>70°- 2.29 mm (.09")</p> <p>80°- 3.18mm (.15")</p> <p>45°</p> <p>-</p> <p>-</p> <p>-</p> <p>025887 SC653-B1</p> | <p>2.06 mm (.0811")</p> <p>R 1 mm (.0393")</p> <p>45°- 2.50 mm (.0984")</p> <p>52°- 1.27 mm (.05")</p> <p>65°- 3.05 mm (.12")</p> <p>75°- 3.05 mm (.12")</p> <p>82°- 3.15mm (.124")</p> <p>R1.5 mm (.059")</p> <p>45°</p> <p>-</p> <p>-</p> <p>-</p> <p>025714 HP2977-B1</p> | <p>1.71 mm (.0673")</p> <p>R 2.00 mm (.0787")</p> <p>45°- 1.60 mm (.0629")</p> <p>55°- 1.00 mm (.0393")</p> <p>R17 mm (.6692")</p> <p>-</p> <p>-</p> <p>-</p> <p>024819 SC656-B1</p> |
| <p>2.14 mm (.084")</p> <p>R 2.00 mm (.0787")</p> <p>45°- 2.20 mm (.0866")</p> <p>55°- 1.00 mm (.035")</p> <p>R 17 mm (.6692")</p> <p>-</p> <p>-</p> <p>-</p> <p>029668 SC658-B1</p> | | |
| | | |



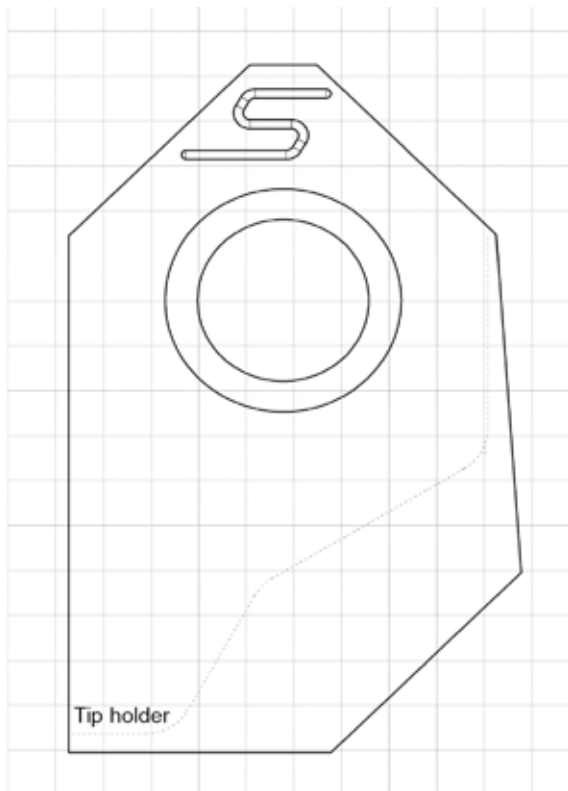
A1 type order form

Customer name: _____

Contact name: _____

Tel: _____ Date: _____

1mm
0.039"



A1

Negative rake angle
8° draft angle

special draft angle: _____

intake

exhaust

Cylinder head model -
engine type:

Additional request:

Please draw the requested profile on the above blank and indicate the segments n°

| Segment n° | Length | Angle | Radius | Tan 1 | Tan 2 |
|------------|--------|-------|--------|-------|-------|
| 1 | | | | | |
| 2 | | | | | |
| 3 | | | | | |
| 4 | | | | | |
| 5 | | | | | |
| 6 | | | | | |
| 7 | | | | | |
| 8 | | | | | |
| 9 | | | | | |

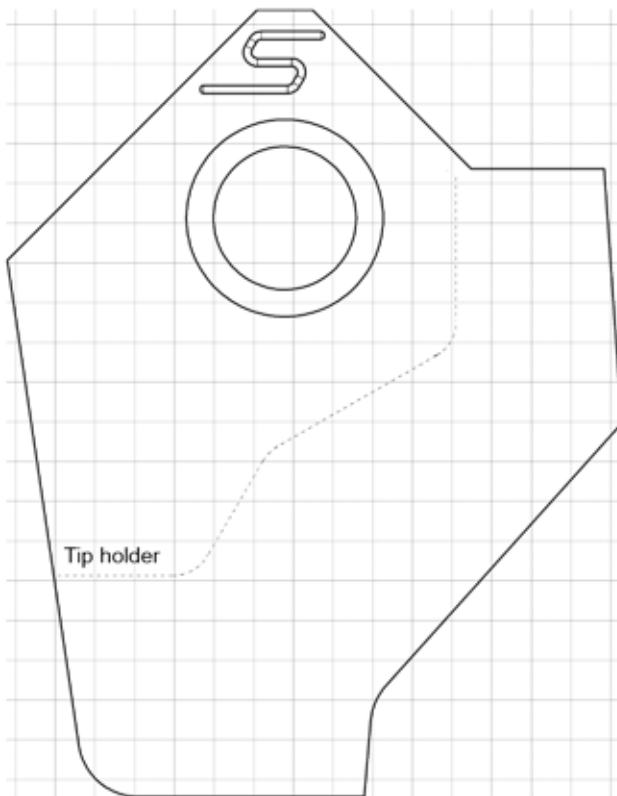
B1 type order form

Customer name: _____

Contact name: _____

Tel: _____ Date: _____

1mm
0.039"



B1

Negative rake angle
8° draft angle

- intake
- exhaust

Cylinder head model -
engine type:

Additional request:

Please draw the requested profile on the above blank and indicate the segments n°

| Segment n° | Length | Angle | Radius | Tan 1 | Tan 2 |
|------------|--------|-------|--------|-------|-------|
| 1 | | | | | |
| 2 | | | | | |
| 3 | | | | | |
| 4 | | | | | |
| 5 | | | | | |
| 6 | | | | | |
| 7 | | | | | |
| 8 | | | | | |
| 9 | | | | | |



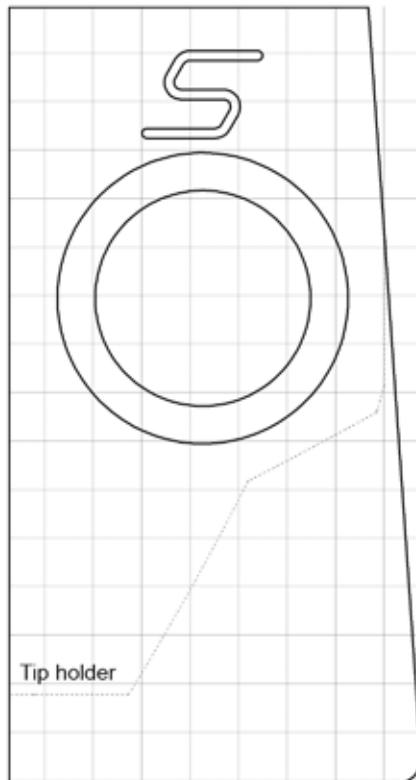
D1 type order form

Customer name: _____

Contact name: _____

Tel: _____ Date: _____

1mm
0.039"



D1

Negative rake angle
8° draft angle

- intake
- exhaust

Cylinder head model -
engine type:

Additional request:

Please draw the requested profile on the above blank and indicate the segments n°

| Segment n° | Length | Angle | Radius | Tan 1 | Tan 2 |
|------------|--------|-------|--------|-------|-------|
| 1 | | | | | |
| 2 | | | | | |
| 3 | | | | | |
| 4 | | | | | |
| 5 | | | | | |
| 6 | | | | | |
| 7 | | | | | |
| 8 | | | | | |
| 9 | | | | | |

E2 type order form

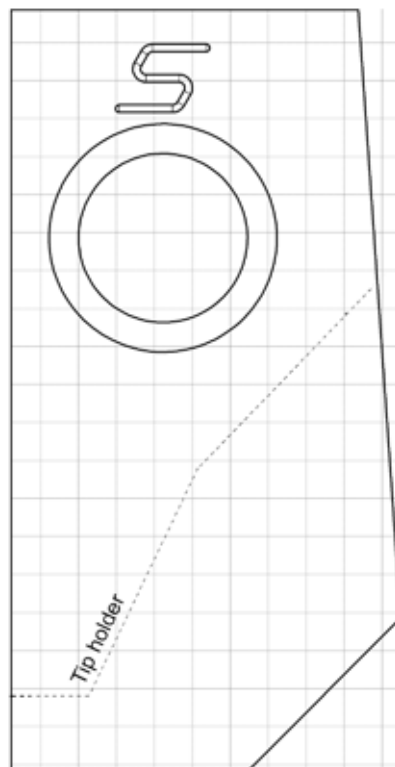
Customer name: _____

Contact name: _____

Tel: _____ Date: _____

1mm
0.039"

E2



- Negative rake angle
8° draft angle (#9XXXXXX)
- Positive 8° rake angle
14° draft angle (#0XXXXX)
- intake
- exhaust

Cylinder head model -
engine type:

Additional request:

Please draw the requested profile on the above blank and indicate the segments n°

| Segment n° | Length | Angle | Radius | Tan 1 | Tan 2 |
|------------|--------|-------|--------|-------|-------|
| 1 | | | | | |
| 2 | | | | | |
| 3 | | | | | |
| 4 | | | | | |
| 5 | | | | | |
| 6 | | | | | |
| 7 | | | | | |
| 8 | | | | | |
| 9 | | | | | |



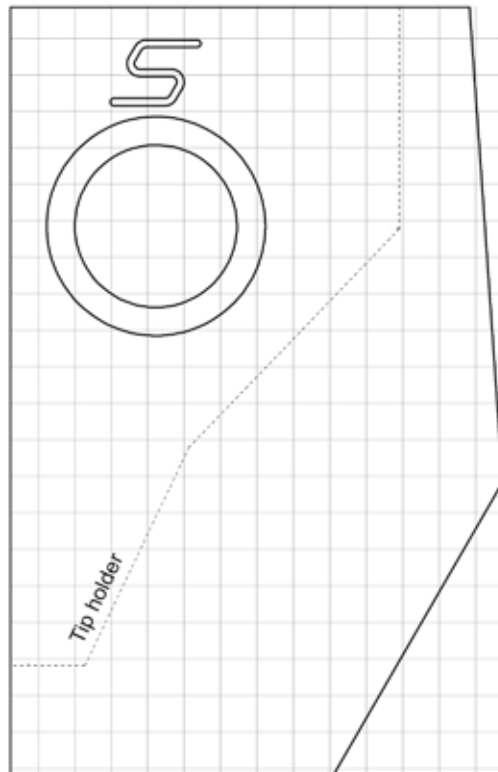
E3 type order form

Customer name: _____

Contact name: _____

Tel: _____ Date: _____

1mm
0.039"



E3

- Negative rake angle
8° draft angle (#9XXXXX)
- Positive 8° rake angle
14° draft angle (#0XXXXX)
- intake
- exhaust

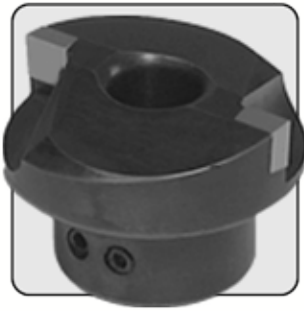
Cylinder head model -
engine type:

Additional request:

Please draw the requested profile on the above blank and indicate the segments n°

| Segment n° | Length | Angle | Radius | Tan 1 | Tan 2 |
|------------|--------|-------|--------|-------|-------|
| 1 | | | | | |
| 2 | | | | | |
| 3 | | | | | |
| 4 | | | | | |
| 5 | | | | | |
| 6 | | | | | |
| 7 | | | | | |
| 8 | | | | | |
| 9 | | | | | |

Brazed milling heads cutters

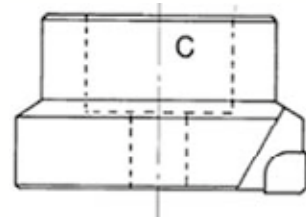
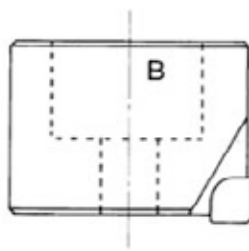
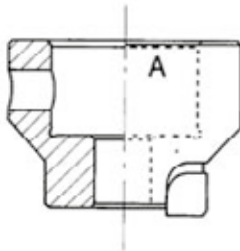


Milling cutter for valve seat pocket counterboring.

To use with **SERDI 5100F** and **SERDI 57 MC** tool holders.

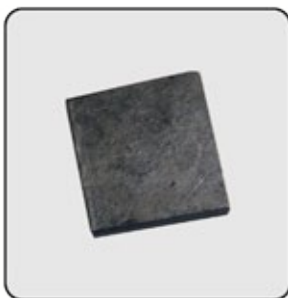
To each "FS" milling head corresponds an "SS" valve seat insert.
No Press Fit Adjustment Required.

The mentioned diameters are the external diameter of the seats. The milling cutter achieves a counterbore giving an interference fit of 0.16 mm on the diameter.

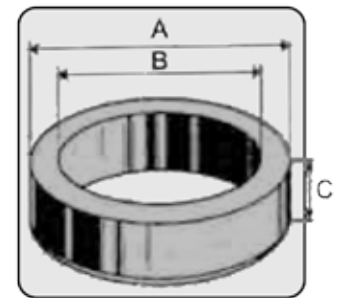


| Metric Milling Head | | | | | | | |
|---------------------|----------|---|-------|--------|---------|---|-------|
| 001738 | FS 993 | A | 20 mm | 001751 | FS 1005 | A | 33 mm |
| 001739 | FS 994 | A | 21 mm | 001752 | FS 1006 | A | 34 mm |
| 001740 | FS 995 | A | 22 mm | 001753 | FS 1007 | A | 35 mm |
| 001741 | FS 996 | A | 23 mm | 001754 | FS 1008 | A | 36 mm |
| 001742 | FS 997 | A | 24 mm | 001755 | FS 1009 | A | 37 mm |
| 001743 | FS 998 | A | 25 mm | 001756 | FS 1010 | A | 38 mm |
| 001744 | FS 999 | A | 26 mm | 001757 | FS 1011 | A | 39 mm |
| 001745 | FS 1000 | A | 27 mm | 001758 | FS 1012 | A | 40 mm |
| 001746 | FS 1001 | A | 28 mm | 001759 | FS 1013 | A | 41 mm |
| 001747 | FS 1001S | A | 29 mm | 001760 | FS 1014 | B | 42 mm |
| 001748 | FS 1002 | A | 30 mm | 001761 | FS 1015 | B | 43 mm |
| 001749 | FS 1003 | A | 31 mm | 001762 | FS 1016 | C | 44 mm |
| 001750 | FS 1004 | A | 32 mm | 001763 | FS 1017 | C | 45 mm |

001799 Square for milling head



| Reference | Seat Diameter A | | Seat Diameter B | | Seat Dimension C | |
|-----------|-----------------|--------|-----------------|--------|------------------|--------|
| | mm | inch | mm | inch | mm | inch |
| 1 005983 | 20,00 | 0,7874 | 14,00 | 0,5512 | 10,00 | 0,3937 |
| 2 005984 | 20,50 | 0,8071 | 14,00 | 0,5512 | 10,00 | 0,3937 |
| 3 005985 | 21,00 | 0,8268 | 15,00 | 0,5906 | 10,00 | 0,3937 |
| 4 005986 | 21,50 | 0,8465 | 15,00 | 0,5906 | 10,00 | 0,3937 |
| 5 005987 | 22,00 | 0,8661 | 16,00 | 0,6299 | 10,00 | 0,3937 |
| 6 005988 | 22,50 | 0,8858 | 16,00 | 0,6299 | 10,00 | 0,3937 |
| 7 005989 | 23,00 | 0,9055 | 17,00 | 0,6693 | 10,00 | 0,3937 |
| 8 005990 | 23,50 | 0,9252 | 17,00 | 0,6693 | 10,00 | 0,3937 |
| 9 005991 | 24,00 | 0,9449 | 18,00 | 0,7087 | 10,00 | 0,3937 |
| 10 005992 | 24,50 | 0,9646 | 18,00 | 0,7087 | 10,00 | 0,3937 |
| 11 005993 | 25,00 | 0,9843 | 19,00 | 0,7480 | 10,00 | 0,3937 |
| 12 005994 | 25,50 | 1,0039 | 19,00 | 0,7480 | 10,00 | 0,3937 |
| 13 005995 | 26,00 | 1,0236 | 20,00 | 0,7874 | 10,00 | 0,3937 |
| 14 005996 | 26,50 | 1,0433 | 20,00 | 0,7874 | 10,00 | 0,3937 |
| 15 005997 | 27,00 | 1,0630 | 21,00 | 0,8268 | 10,00 | 0,3937 |
| 16 005998 | 27,50 | 1,0827 | 21,00 | 0,8268 | 10,00 | 0,3937 |
| 17 005999 | 28,00 | 1,1024 | 22,00 | 0,8661 | 10,00 | 0,3937 |
| 18 006000 | 28,50 | 1,1220 | 22,00 | 0,8661 | 10,00 | 0,3937 |
| 19 006001 | 29,00 | 1,1417 | 23,00 | 0,9055 | 10,00 | 0,3937 |
| 20 006002 | 29,50 | 1,1614 | 23,00 | 0,9055 | 10,00 | 0,3937 |
| 21 010483 | 30,00 | 1,1811 | 20,00 | 0,7874 | 10,00 | 0,3937 |
| 22 006003 | 30,00 | 1,1811 | 23,00 | 0,9055 | 10,00 | 0,3937 |
| 23 006004 | 30,50 | 1,2008 | 23,00 | 0,9055 | 10,00 | 0,3937 |
| 24 010484 | 31,00 | 1,2205 | 21,00 | 0,8268 | 10,00 | 0,3937 |
| 25 006005 | 31,00 | 1,2205 | 24,00 | 0,9449 | 10,00 | 0,3937 |
| 26 006006 | 31,50 | 1,2402 | 24,00 | 0,9449 | 10,00 | 0,3937 |
| 27 010485 | 32,00 | 1,2598 | 22,00 | 0,8661 | 10,00 | 0,3937 |
| 28 006007 | 32,00 | 1,2598 | 25,00 | 0,9843 | 10,00 | 0,3937 |
| 29 006008 | 32,50 | 1,2795 | 25,00 | 0,9843 | 10,00 | 0,3937 |
| 30 010486 | 33,00 | 1,2992 | 23,00 | 0,9055 | 10,00 | 0,3937 |
| 31 006009 | 33,00 | 1,2992 | 26,00 | 1,0236 | 10,00 | 0,3937 |
| 32 006010 | 33,50 | 1,3189 | 26,00 | 1,0236 | 10,00 | 0,3937 |
| 33 010487 | 34,00 | 1,3386 | 24,00 | 0,9449 | 10,00 | 0,3937 |
| 34 006011 | 34,00 | 1,3386 | 27,00 | 1,0630 | 10,00 | 0,3937 |
| 35 006012 | 34,50 | 1,3583 | 27,00 | 1,0630 | 10,00 | 0,3937 |
| 36 010488 | 35,00 | 1,3780 | 25,00 | 0,9843 | 10,00 | 0,3937 |
| 37 006013 | 35,00 | 1,3780 | 28,00 | 1,1024 | 10,00 | 0,3937 |
| 38 006014 | 35,50 | 1,3976 | 28,00 | 1,1024 | 10,00 | 0,3937 |
| 39 010489 | 36,00 | 1,4173 | 26,00 | 1,0236 | 10,00 | 0,3937 |
| 40 006015 | 36,00 | 1,4173 | 29,00 | 1,1417 | 10,00 | 0,3937 |
| 41 006016 | 36,50 | 1,4370 | 29,00 | 1,1417 | 10,00 | 0,3937 |
| 42 010490 | 37,00 | 1,4567 | 27,00 | 1,0630 | 10,00 | 0,3937 |
| 43 006017 | 37,00 | 1,4567 | 30,00 | 1,1811 | 10,00 | 0,3937 |
| 44 006018 | 37,50 | 1,4764 | 30,00 | 1,1811 | 10,00 | 0,3937 |
| 45 010491 | 38,00 | 1,4961 | 28,00 | 1,1024 | 10,00 | 0,3937 |
| 46 006019 | 38,00 | 1,4961 | 31,00 | 1,2205 | 10,00 | 0,3937 |
| 47 006020 | 38,50 | 1,5157 | 31,00 | 1,2205 | 10,00 | 0,3937 |
| 48 010492 | 39,00 | 1,5354 | 29,00 | 1,1417 | 10,00 | 0,3937 |
| 49 006021 | 39,00 | 1,5354 | 32,00 | 1,2598 | 10,00 | 0,3937 |
| 50 013756 | 39,10 | 1,5394 | 33,00 | 1,2992 | 7,00 | 0,2756 |
| 51 006022 | 39,50 | 1,5551 | 32,00 | 1,2598 | 10,00 | 0,3937 |

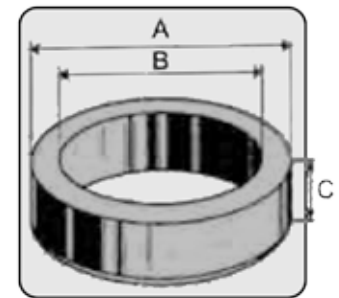


Valve seat inserts **all carburations***

***except LPG**

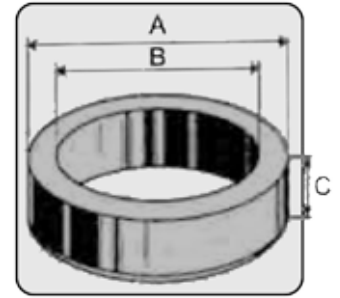


| Reference | Seat Diameter A | | Seat Diameter B | | Seat Dimension C | |
|-----------|-----------------|--------|-----------------|--------|------------------|--------|
| | mm | inch | mm | inch | mm | inch |
| 1 010493 | 40,00 | 1,5748 | 29,00 | 1,1417 | 10,00 | 0,3937 |
| 2 014964 | 40,00 | 1,5748 | 30,00 | 1,1811 | 9,50 | 0,3740 |
| 3 006023 | 40,00 | 1,5748 | 32,00 | 1,2598 | 10,00 | 0,3937 |
| 4 010990 | 40,00 | 1,5748 | 32,00 | 1,2598 | 11,00 | 0,4331 |
| 5 013761 | 40,25 | 1,5846 | 34,00 | 1,3386 | 7,00 | 0,2756 |
| 6 006024 | 40,50 | 1,5945 | 32,00 | 1,2598 | 10,00 | 0,3937 |
| 7 010494 | 41,00 | 1,6142 | 30,00 | 1,1811 | 10,00 | 0,3937 |
| 8 006025 | 41,00 | 1,6142 | 33,00 | 1,2992 | 10,00 | 0,3937 |
| 9 006026 | 41,50 | 1,6339 | 33,00 | 1,2992 | 10,00 | 0,3937 |
| 10 010495 | 42,00 | 1,6535 | 31,00 | 1,2205 | 10,00 | 0,3937 |
| 11 006027 | 42,00 | 1,6535 | 34,00 | 1,3386 | 10,00 | 0,3937 |
| 12 006028 | 42,50 | 1,6732 | 34,00 | 1,3386 | 10,00 | 0,3937 |
| 13 010496 | 43,00 | 1,6929 | 32,00 | 1,2598 | 10,00 | 0,3937 |
| 14 012806 | 43,00 | 1,6929 | 35,00 | 1,3780 | 7,50 | 0,2953 |
| 15 006029 | 43,00 | 1,6929 | 35,00 | 1,3780 | 10,00 | 0,3937 |
| 16 006030 | 43,50 | 1,7126 | 35,00 | 1,3780 | 10,00 | 0,3937 |
| 17 010497 | 44,00 | 1,7323 | 33,00 | 1,2992 | 10,00 | 0,3937 |
| 18 006031 | 44,00 | 1,7323 | 36,00 | 1,4173 | 10,00 | 0,3937 |
| 19 010498 | 44,50 | 1,7520 | 30,00 | 1,1811 | 10,00 | 0,3937 |
| 20 006032 | 44,50 | 1,7520 | 36,00 | 1,4173 | 10,00 | 0,3937 |
| 21 010499 | 45,00 | 1,7717 | 34,00 | 1,3386 | 12,00 | 0,4724 |
| 22 006033 | 45,00 | 1,7717 | 37,00 | 1,4567 | 12,00 | 0,4724 |
| 23 013757 | 45,10 | 1,7756 | 39,00 | 1,5354 | 9,00 | 0,3543 |
| 24 013755 | 45,15 | 1,7776 | 37,00 | 1,4567 | 6,50 | 0,2559 |
| 25 006034 | 45,50 | 1,7913 | 37,00 | 1,4567 | 12,00 | 0,4724 |
| 26 013753 | 45,65 | 1,7972 | 37,00 | 1,4567 | 7,50 | 0,2953 |
| 27 010500 | 46,00 | 1,8110 | 34,00 | 1,3386 | 12,00 | 0,4724 |
| 28 013758 | 46,00 | 1,8110 | 38,00 | 1,4961 | 8,50 | 0,3346 |
| 29 006035 | 46,00 | 1,8110 | 38,00 | 1,4961 | 12,00 | 0,4724 |
| 30 006036 | 46,50 | 1,8307 | 38,00 | 1,4961 | 12,00 | 0,4724 |
| 31 010344 | 47,00 | 1,8504 | 35,00 | 1,3780 | 9,00 | 0,3543 |
| 32 010501 | 47,00 | 1,8504 | 36,00 | 1,4173 | 12,00 | 0,4724 |
| 33 012807 | 47,00 | 1,8504 | 39,00 | 1,5354 | 7,50 | 0,2953 |
| 34 006037 | 47,00 | 1,8504 | 39,00 | 1,5354 | 12,00 | 0,4724 |
| 35 006038 | 47,50 | 1,8701 | 39,00 | 1,5354 | 12,00 | 0,4724 |
| 36 013760 | 47,60 | 1,8740 | 41,00 | 1,6142 | 7,00 | 0,2756 |
| 37 010502 | 48,00 | 1,8898 | 37,00 | 1,4567 | 12,00 | 0,4724 |
| 38 009803 | 48,00 | 1,8898 | 38,00 | 1,4961 | 11,00 | 0,4331 |
| 39 006039 | 48,00 | 1,8898 | 40,00 | 1,5748 | 12,00 | 0,4724 |
| 40 010506 | 48,50 | 1,9094 | 40,00 | 1,5748 | 12,00 | 0,4724 |
| 41 010503 | 49,00 | 1,9291 | 38,00 | 1,4961 | 12,00 | 0,4724 |
| 42 006040 | 49,00 | 1,9291 | 41,00 | 1,6142 | 12,00 | 0,4724 |
| 43 009804 | 49,50 | 1,9488 | 42,00 | 1,6535 | 11,00 | 0,4331 |
| 44 010504 | 50,00 | 1,9685 | 38,00 | 1,4961 | 12,00 | 0,4724 |
| 45 010345 | 50,00 | 1,9685 | 39,00 | 1,5354 | 12,00 | 0,4724 |
| 46 006041 | 50,00 | 1,9685 | 41,00 | 1,6142 | 12,00 | 0,4724 |
| 47 010507 | 51,00 | 2,0079 | 42,00 | 1,6535 | 12,00 | 0,4724 |
| 48 010508 | 51,00 | 2,0079 | 49,00 | 1,9291 | 12,00 | 0,4724 |
| 49 009729 | 52,00 | 2,0472 | 40,00 | 1,5748 | 12,00 | 0,4724 |
| 50 007175 | 52,00 | 2,0472 | 43,00 | 1,6929 | 12,00 | 0,4724 |
| 51 013752 | 52,15 | 2,0531 | 42,00 | 1,6535 | 7,50 | 0,2953 |



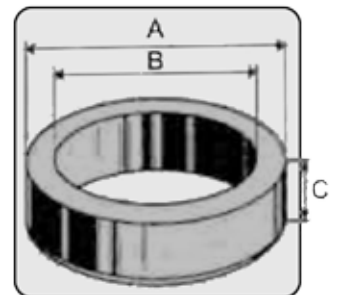
*except LPG

| Reference | Seat Diameter A | | Seat Diameter B | | Seat Dimension C | |
|-----------|-----------------|--------|-----------------|--------|------------------|--------|
| | mm | inch | mm | inch | mm | inch |
| 1 010509 | 53,00 | 2,0866 | 41,00 | 1,6142 | 12,00 | 0,4724 |
| 2 011657 | 53,00 | 2,0866 | 42,00 | 1,6535 | 10,50 | 0,4134 |
| 3 013687 | 53,25 | 2,0965 | 42,00 | 1,6535 | 10,50 | 0,4134 |
| 4 010510 | 54,00 | 2,1260 | 42,00 | 1,6535 | 12,00 | 0,4724 |
| 5 013754 | 54,15 | 2,1319 | 46,00 | 1,8110 | 6,50 | 0,2559 |
| 6 010511 | 55,00 | 2,1654 | 43,00 | 1,6929 | 13,00 | 0,5118 |
| 7 010346 | 55,00 | 2,1654 | 44,00 | 1,7323 | 12,00 | 0,4724 |
| 8 010512 | 56,00 | 2,2047 | 44,00 | 1,7323 | 13,00 | 0,5118 |
| 9 018395 | 56,20 | 2,2126 | 46,50 | 1,8307 | 9,50 | 0,3740 |
| 10 009730 | 57,00 | 2,2441 | 45,00 | 1,7717 | 12,00 | 0,4724 |
| 11 010513 | 57,00 | 2,2441 | 45,00 | 1,7717 | 13,00 | 0,5118 |
| 12 010514 | 58,00 | 2,2835 | 46,00 | 1,8110 | 13,00 | 0,5118 |
| 13 010515 | 59,00 | 2,3228 | 47,00 | 1,8504 | 13,00 | 0,5118 |
| 14 010516 | 60,00 | 2,3622 | 46,00 | 1,8110 | 13,00 | 0,5118 |
| 15 014782 | 61,00 | 2,4016 | 47,00 | 1,8504 | 13,00 | 0,5118 |
| 16 015781 | 61,00 | 2,4016 | 49,00 | 1,9291 | 11,50 | 0,4528 |
| 17 014783 | 62,00 | 2,4409 | 48,00 | 1,8898 | 13,00 | 0,5118 |
| 18 015782 | 62,00 | 2,4409 | 50,00 | 1,9685 | 11,50 | 0,4528 |
| 19 014784 | 63,00 | 2,4803 | 49,00 | 1,9291 | 13,00 | 0,5118 |
| 20 014785 | 64,00 | 2,5197 | 50,00 | 1,9685 | 13,00 | 0,5118 |
| 21 014786 | 65,00 | 2,5591 | 51,00 | 2,0079 | 13,00 | 0,5118 |



Valve seat inserts **chrome turbo**

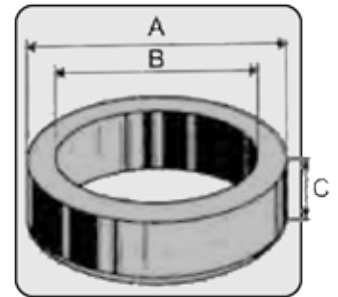
| Reference | Seat Diameter A | | Seat Diameter B | | Seat Dimension C | |
|-------------|-----------------|--------|-----------------|--------|------------------|--------|
| | mm | inch | mm | inch | mm | inch |
| 1 SS0993-B | 20,00 | 0,7874 | 12,00 | 0,4724 | 7,50 | 0,2953 |
| 2 SS0994-B | 21,00 | 0,8268 | 13,00 | 0,5118 | 7,50 | 0,2953 |
| 3 SS0995-B | 22,00 | 0,8661 | 14,00 | 0,5511 | 7,50 | 0,2953 |
| 4 SS0996-B | 23,00 | 0,9055 | 15,00 | 0,5906 | 7,50 | 0,2953 |
| 5 SS0997-B | 24,00 | 0,9449 | 16,00 | 0,6299 | 8,00 | 0,3150 |
| 6 SS0998-B | 25,00 | 0,9843 | 17,00 | 0,6693 | 8,00 | 0,3150 |
| 7 SS1000-B | 27,00 | 1,0630 | 19,00 | 0,7480 | 8,00 | 0,3150 |
| 8 SS1001-B | 28,00 | 1,1024 | 20,00 | 0,7874 | 8,00 | 0,3150 |
| 9 SS1016-B | 44,00 | 1,7323 | 34,00 | 1,3386 | 9,50 | 0,3740 |
| 10 SS1023-B | 51,00 | 2,0079 | 40,00 | 1,5748 | 10,50 | 0,4134 |
| 11 SS1028-B | 56,00 | 2,2047 | 45,00 | 1,7717 | 11,00 | 0,4331 |
| 12 SS1031-B | 59,00 | 2,3228 | 48,00 | 1,8898 | 11,00 | 0,4331 |
| 13 SS1032-B | 60,00 | 2,3622 | 48,00 | 1,8898 | 11,50 | 0,4528 |
| 14 SS1036-B | 64,00 | 2,5197 | 52,00 | 2,0472 | 11,50 | 0,4528 |



Valve seat inserts **nickel gas special LPG**



| Reference | Seat Diameter A | | Seat Diameter B | | Seat Dimension C | |
|-------------|-----------------|--------|-----------------|--------|------------------|--------|
| | mm | inch | mm | inch | mm | inch |
| 1 SS1001-A | 28,00 | 1,1024 | 20,00 | 0,7874 | 8,00 | 0,3150 |
| 2 SS1002-A | 30,00 | 1,1811 | 22,00 | 0,8661 | 8,50 | 0,3346 |
| 3 SS1003-A | 31,00 | 1,2205 | 23,00 | 0,9055 | 8,50 | 0,3346 |
| 4 SS1004-A | 32,00 | 1,2598 | 24,00 | 0,9449 | 8,50 | 0,3346 |
| 5 SS1005-A | 33,00 | 1,2992 | 25,00 | 0,9843 | 8,50 | 0,3346 |
| 6 SS1006-A | 34,00 | 1,3386 | 26,00 | 1,0236 | 8,50 | 0,3346 |
| 7 SS1007-A | 35,00 | 1,3780 | 26,00 | 1,0236 | 9,00 | 0,3543 |
| 8 SS1008-A | 36,00 | 1,4173 | 27,00 | 1,0630 | 9,00 | 0,3543 |
| 9 SS1009-A | 37,00 | 1,4567 | 28,00 | 1,1024 | 9,00 | 0,3543 |
| 10 SS1010-A | 38,00 | 1,4961 | 29,00 | 1,1417 | 9,00 | 0,3543 |
| 11 SS1011-A | 39,00 | 1,5354 | 30,00 | 1,1811 | 9,00 | 0,3543 |
| 12 SS1012-A | 40,00 | 1,5748 | 30,00 | 1,1811 | 9,50 | 0,3740 |
| 13 SS1013-A | 41,00 | 1,6142 | 31,00 | 1,2205 | 9,50 | 0,3740 |
| 14 SS1014-A | 42,00 | 1,6535 | 32,00 | 1,2598 | 9,50 | 0,3740 |
| 15 SS1015-A | 43,00 | 1,6929 | 33,00 | 1,2992 | 9,50 | 0,3740 |
| 16 SS1016-A | 44,00 | 1,7323 | 34,00 | 1,3386 | 9,50 | 0,3740 |
| 17 SS1017-A | 45,00 | 1,7717 | 34,50 | 1,3583 | 10,00 | 0,3937 |
| 18 SS1018-A | 46,00 | 1,8110 | 35,50 | 1,3976 | 10,00 | 0,3937 |
| 19 SS1019-A | 47,00 | 1,8504 | 36,50 | 1,4370 | 10,00 | 0,3937 |
| 20 SS1020-A | 48,00 | 1,8898 | 37,50 | 1,4764 | 10,00 | 0,3937 |
| 21 SS1021-A | 49,00 | 1,9291 | 38,50 | 1,5157 | 10,00 | 0,3937 |
| 22 SS1022-A | 50,00 | 1,9685 | 39,00 | 1,5354 | 10,50 | 0,4134 |
| 23 SS1023-A | 51,00 | 2,0079 | 40,00 | 1,5748 | 10,50 | 0,4134 |
| 24 SS1024-A | 52,00 | 2,0472 | 41,00 | 1,6142 | 10,50 | 0,4134 |
| 25 SS1025-A | 53,00 | 2,0866 | 42,00 | 1,6535 | 10,50 | 0,4134 |
| 26 SS1026-A | 54,00 | 2,1260 | 43,00 | 1,6929 | 10,50 | 0,4134 |
| 27 SS1027-A | 55,00 | 2,1654 | 44,00 | 1,7323 | 11,00 | 0,4331 |
| 28 SS1028-A | 56,00 | 2,2047 | 45,00 | 1,7717 | 11,00 | 0,4331 |
| 29 SS1029-A | 57,00 | 2,2441 | 46,00 | 1,8110 | 11,00 | 0,4331 |
| 30 SS1030-A | 58,00 | 2,2835 | 47,00 | 1,8504 | 11,00 | 0,4331 |
| 31 SS1031-A | 59,00 | 2,3228 | 48,00 | 1,8898 | 11,00 | 0,4331 |
| 32 SS1032-A | 60,00 | 2,3622 | 48,00 | 1,8898 | 11,50 | 0,4528 |
| 33 SS1033-A | 61,00 | 2,4016 | 49,00 | 1,9291 | 11,50 | 0,4528 |
| 34 SS1034-A | 62,00 | 2,4409 | 50,00 | 1,9685 | 11,50 | 0,4528 |
| 35 SS1035-A | 63,00 | 2,4803 | 51,00 | 2,0079 | 11,50 | 0,4528 |
| 36 SS1036-A | 64,00 | 2,5197 | 52,00 | 2,0472 | 11,50 | 0,4528 |
| 37 SS1037-A | 65,00 | 2,5591 | 53,00 | 2,0866 | 11,50 | 0,4528 |
| 38 SS1038-A | 68,00 | 2,6772 | 55,00 | 2,1654 | 12,00 | 0,4724 |
| 39 SS1039-A | 70,00 | 2,7559 | 57,00 | 2,2441 | 12,00 | 0,4724 |





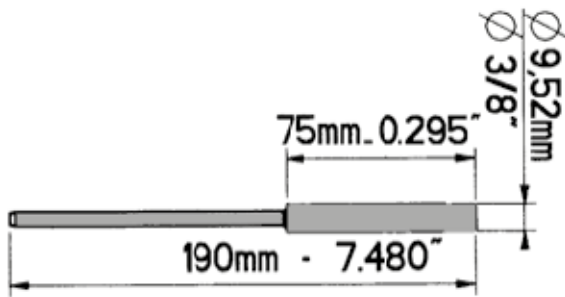
The range of genuine SERDI Tungsten Carbide Pilots guarantees unmatched centering accuracy.

SERDI pilots range starts from $\varnothing 3.5$ mm / .140" to $\varnothing 20$ mm / .787" in 0,005 mm / .0002" increments.

The tolerance on the centering diameter is +/- 0.002 mm / .00007".

The standard shank of 9.52 mm / .375" makes these pilots compatible with most of the competitors machines on the market today.

Pilots CL type



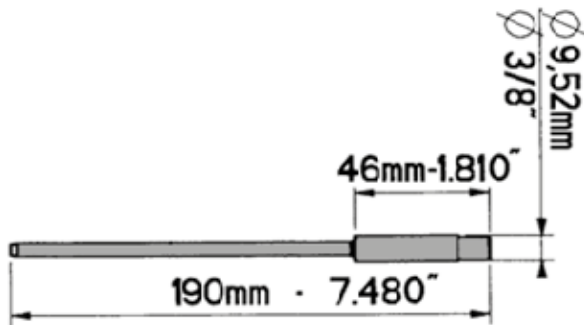
Carbide Long shank, for Tool Holder # :
5100 – 5300 – 5700 – 5710

CL pilot available from:
- $\varnothing 3.5$ mm / 0,138" to $\varnothing 14$ mm / 0.550" maximum

Standard length 190mm / 7.480"

For a $\varnothing 9.02$ mm pilot, order part # : *CL 9.02*

Pilots CS type



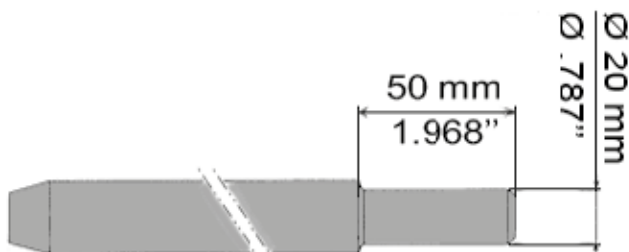
Carbide Short pilot, for Serdi Micro 2000 and Micro-Magnet

CS pilot available from:
- $\varnothing 3.5$ mm / 0,138" to $\varnothing 14$ mm / 0.550" maximum

Standard length 190mm / 7.480"

For a $\varnothing 6.20$ mm pilot, order part # : *CL 6.20*

Pilots E type



Hardened steel or carbide.

For Tool Holder # : **5731**

For marine, locomotive and heavy duty applications :

CL pilot available from
- $\varnothing 14$ mm / 0.551" to $\varnothing 22,50$ mm / 0.886" maximum

Standard lengths: **225mm** / 8.858", **250mm** / 9.483" and **300mm** / 11.811"

For a $\varnothing 15.00$ mm pilot with length of 225 mm, order part # : *E15.00-225* and indicate the material

CSD pilot order form

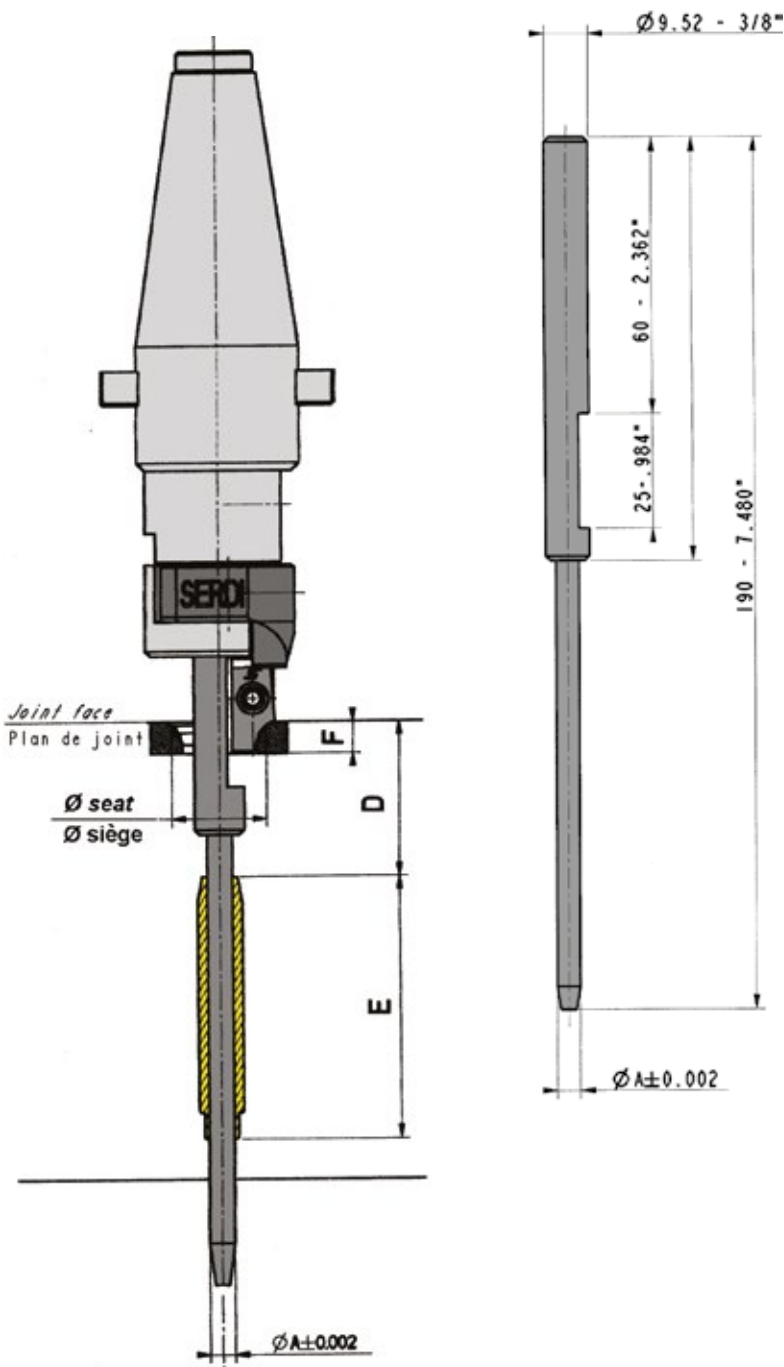
Customer name: _____

Contact name: _____

Tel: _____

Date: _____

SIGNATURE



Carbide Small Diameter

Allows to improve the rigidity of pilots for guides of small diameters.

Accommodates only :

- tool holders **5700** and bit holders **2700**
- tool holders **5710** and bit holders **2710**

Pilot diameter

ØA: ±0.002

Seat inner diameter

D dimension

E dimension

F dimension

Quantity to order

exhaust

intake

Motor type



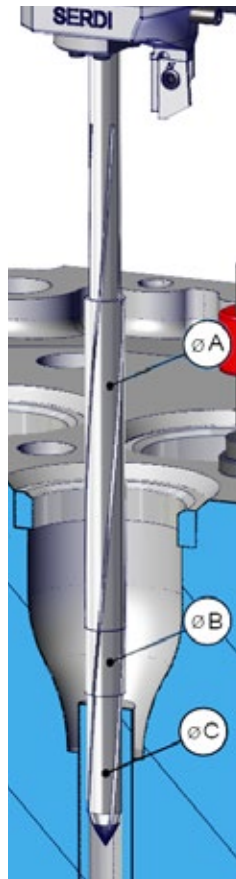
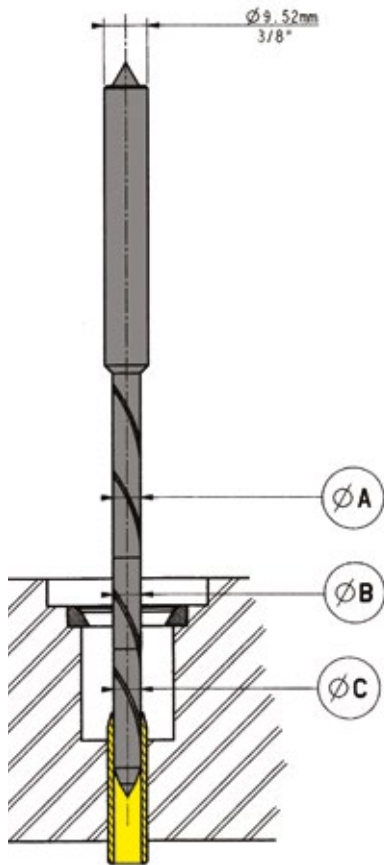
SERDI Reamer Special 3 stage

Carbide reamer for valve guide and valve seat finishing in one spindle travel and/or guide housing and seat pocket counterboring.

- 1- The front section **C** is a pilot for centering into the unfinished diameter.
- 2- The section **B** ream the guide to size in H7 tolerance.
- 3- After a quick re-centering, the second pilot, section **A**, drives the spindle in perfect alignment with the newly reamed guide.
- 4- Keeping the spindle feeding down, the valve seat is machined perfectly concentric to the guide

Fits any tool-holder \varnothing 9.52 mm / 3/8".
Fits on Newen shanks.

For more info, ask for our Technical Bulletin n°57
To order, please see the next page



Reamers **RN** type

SERDI Reamer Normal

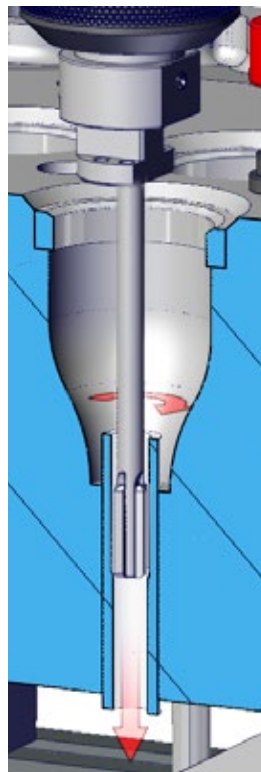
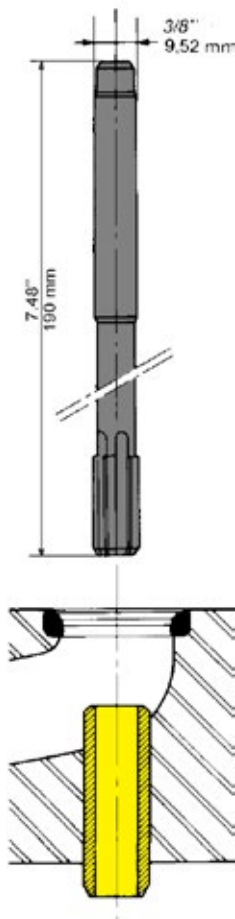
Carbide reamer for valve guide or guide housing finishing.

A preliminary centering with a pilot in the used guide is necessary.

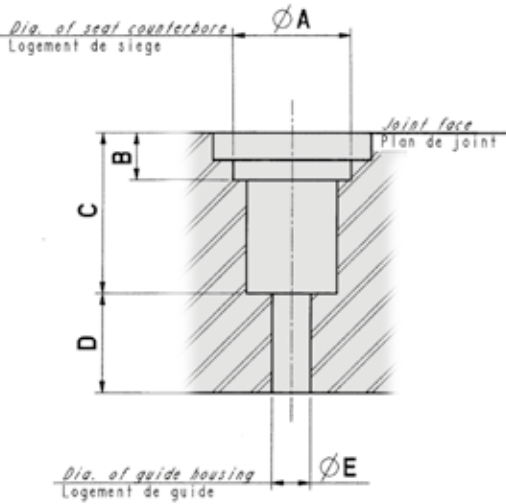
Any diameter from 6mm to 16mm in 0.01mm increment in H7 tolerance.

Fits any tool holder with a \varnothing 9.52 mm / 3/8"

For more info, ask for our Technical Bulletin n°57
For a \varnothing 6.99 mm reamer, order part # : RN 6.99



Reamers Order form for guide housing reamer - RS type



Customer name: _____

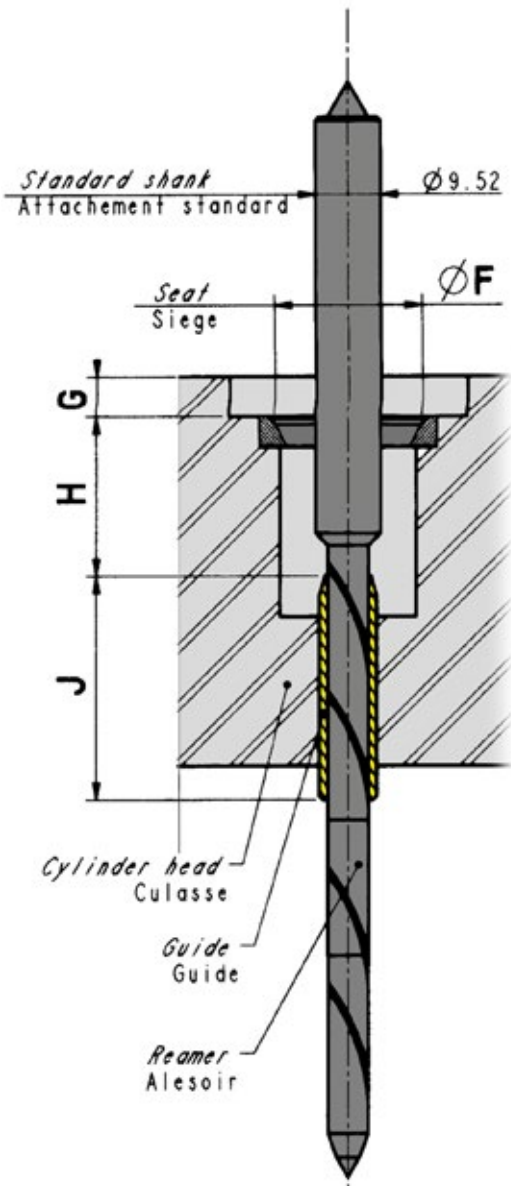
Tel: _____ Date: _____

Dimensions (mm)

| A | B | C | D | E | |
|---|---|---|---|----------------|---------------|
| | | | | before reaming | after reaming |

Cylinder head material: aluminium intake

Reamers Order form for ID guide reamer - RS type



Dimensions (mm)

| F | G | H | J |
|---|---|---|---|
| | | | |

Cylinder head material: aluminium cast iron

Guide material

Diameter and tolerance of guide before reaming

Diameter and tolerance of guide after reaming

Quantity to order

exhaust

intake

Motor type



A large rectangular area with rounded corners, containing numerous horizontal lines for writing notes. The lines are evenly spaced and extend across the width of the page, providing a structured space for taking notes.

General conditions of sale

MACHINES SERDI S.A.

All prices are quoted in EURO and are enduser's net prices.
All prices are to be understood : EX-WORKS (EXW incoterms 2010) ANNECY
For any other incoterms, we shall submit our best quotation upon request.

PAYMENT TERMS :

If no specific payment terms have been agreed upon, payment is to be understood as «irrevocable letter of credit»

Our Bank name and address are as follows :

CREDIT LYONNAIS
UAC LYON 1 ENTREPRISES
UMBC 23130 SERVICE COMEX
136, Cours LAFAYETTE
LYON CEDEX 03

INSPECTION :

If independent inspection should be required (SGS, BUREAU VERITAS, CALEB BRETT or similar) it will be charged to the importer's.

GUARANTEE :

MACHINES SERDI guarantees all parts of its equipment, to the original purchaser, for one full year from date of shipment (except as provided below) against defects in material or workmanship, when the equipment is installed in strict accordance with its particular specifications. MACHINES SERDI will repair and/or replace free of charge (Ex works) all such defective parts, ONLY when returned to the factory in Annecy France, with shipping charges PREPAID. This guarantee DOES NOT COVER damage caused by accident, abuse or faulty installation nor repair or replacement of parts worn or consumed in normal operation of the machine. Additionally, this guarantee does not cover such items as Diamond Tools, Ball Bearings, Grinding Wheels, Belts, Carbide Tool Bits and other accessory items, except at the discretion of MACHINES SERDI. This guarantee is at no time construed to mean the entire machine.

CANCELLATION OF ORDER :

Cancellation of order must be in writing and returned to the factory before shipment.

SHORTAGE OR LOST GOODS :

Any claims for shortages or loss must be reported within 10 days from receipt of shipment. Claims for transit loss or damage are the responsibility of the carrier according to the incoterm required by the importer.

RETURN MERCHANDISE POLICY :

- Merchandise may not be returned to MACHINES SERDI without written or verbal approval.
- Customer MUST contact the Export Departement to receive authorization.
- Merchandise authorized for return must be returned at customer's charge along with a copy of the invoice(s) or delivery note.
- Returning the goods DOES NOT guarantee credit.
- Credit for return merchandise is at the sole discretion of MACHINES SERDI.
- Credit if any will be issued ONLY after inspection of returned goods.

PRICES AND TERMS ARE SUBJECT TO CHANGE WITHOUT NOTICE



SERDI

seat and guide machines



MACHINES SERDI S.A.

23, avenue des vieux moulins
B.P. 380
74012 Annecy Cedex
France



00 33 4 50 65 63 00

Fax: 00 33 4 50 52 99 92

www.serdi.com

Email: export@serdi.com

SERDI CORP.

1526 Litton Drive
Stone mountain
Georgia 30083
USA



(770) 493 82 20

Fax: (770) 493 83 23

Applications:

Heavy diesel:



Aviation



Stationary engines:



Marine:



Racing:



Motorcycle:



Automotive:



40 years in business